



SCREENS



1. Common section

1.1 Various versions

COMMON SECTION

Product type	Type of box	Size of box [mm]	Versions and dimensions						Installation			
			Max. dimensions						Operation	Connected version	Side guiding	PKF brackets
			Width [cm]		Height [cm]		Area [m ²]					
			Separate version	Connected version	Separate version	Connected version	Separate version	Connected version				
SUNROL	Square	75 x 85	240	---	250	---	3	---	manual	NO	without side guiding	NO
UNIROL 80 C	Square	80 x 80	300	---	220	---	6.6	---	motor / crank	NO	in wire	NO
UNIROL 100 C	Square	100 x 100	400	---	350	---	9	---	motor / crank	NO	in wire	NO
UNIROL 80 R	Square	80 x 80	300	---	220	---	6.6	---	motor / crank	NO	in guide rail	YES
UNIROL 100 R	Square	100 x 100	400	595	350	350	9	18	motor / crank	YES	in guide rail	YES
UNIROL 80 Z	Square	80 x 80	300	---	200	---	6	---	motor / crank	NO	zip system	YES
UNIROL 100 Z	Square	100 x 100	400	595	300	300	9	17.8	motor / crank	YES	zip system	YES
	Square straight											
UNIROL 130 Z	Square straight	130 x 130	600	---	450	---	18	---	motor	NO	zip system	YES
UNIROL 150 Z	Square straight	150 x 150	600	---	500	---	20	---	motor	NO	zip system	YES
UNIROL 110 ZU	Square	110 x 150	450	---	400	---	14	---	motor	NO	zip system	NO
V-ROL 63	Without box	---	330	595	350	350	9	18	motor / crank	YES	in wire	NO

Notice:

- the maximum dimensions shown are for reference only. For different fabrics, the dimensions are specified in more detail for individual products.

3. UNIROL C

3.1 UNIROL 80 C

3.1.1 Product specification


[Pricelist](#)
[Extra charges](#)

Standard version

- ✓ Mechanical motor Kaiser Nienhaus
- ✓ Extruded box 80 x 80 mm
- ✓ Plastic-coated stainless steel wire Ø 3 mm
- ✓ Brackets wall
- ✓ Wire holder DLM 20 - 40
- ✓ Fabric Soltis 92, Soltis 7635 from the collection CLIMAX
- ✓ Aluminum shaft - Ø 50 mm

Construction colours

Colour version	Delivery time	Extra charge
white (RAL 9016)	1 week	no
silver (RAL 9006)		
anthracite (RAL 7016)	2 weeks	yes
other varnished		

Other varnished: RAL, DB703, VSR 780, Sablé 2900

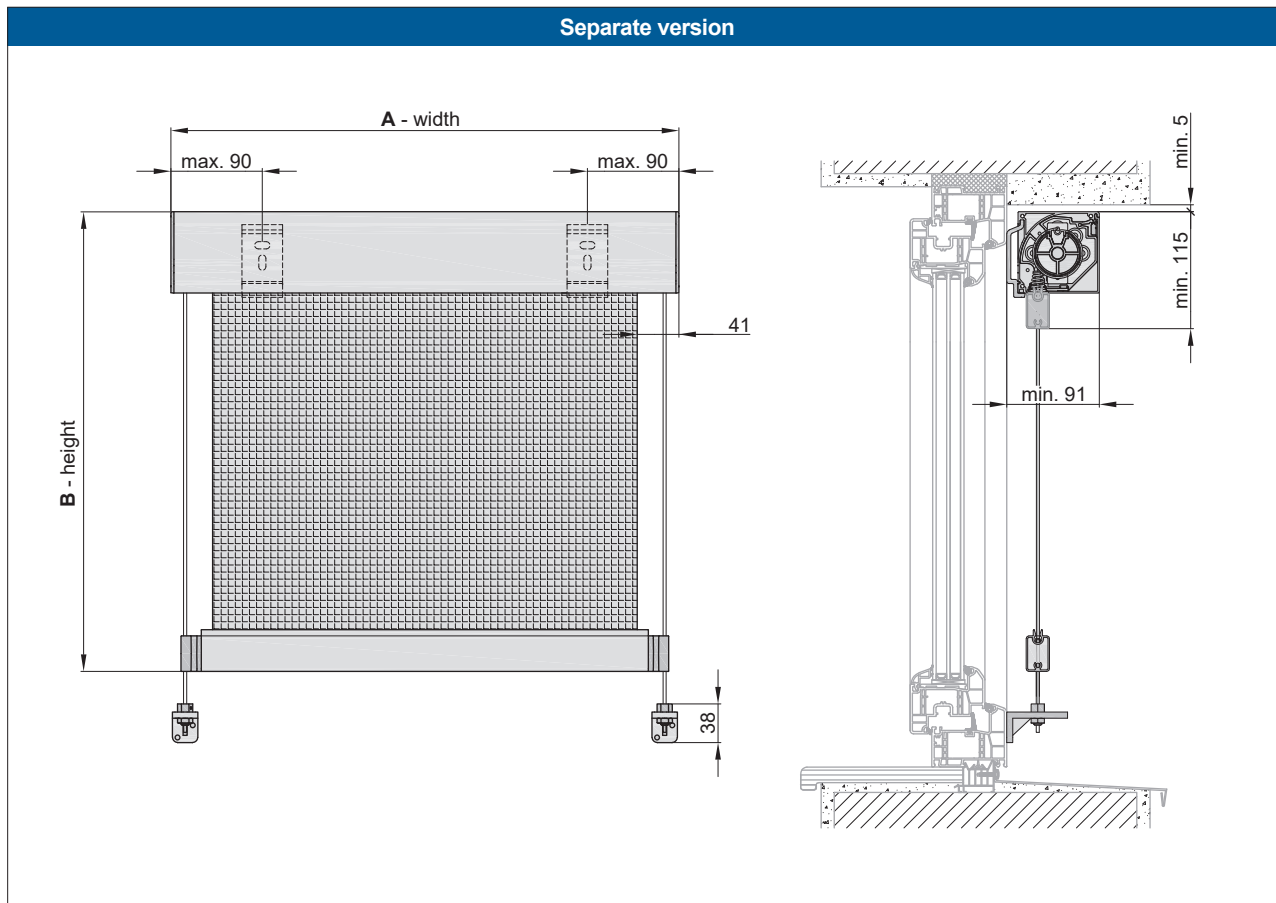
Limit dimensions

TYPE	OPERATION	Fabric	Width [cm]		Height [cm]	Area
			Min.	Max.	Max.	Max.
UNIROL 80 C	Motor	Soltis 86, 92, B92, 96	see table of motors	300	220	6.6 m ²
		Soltis 7635				
		Soltis Veozip				
		Mermet 5500, 21154 BO				
		Helioscreen				
	Crank	Soltis 86, 92, B92, 96	50	300	220	6.6 m ²
		Soltis 7635				
		Soltis Veozip				
		Mermet 5500, 21154 BO				
		Helioscreen				

Note:

- for screens, the maximum width-to-height ration of 1:3 is guaranteed for widths ≤ 100 cm

3.1.2 Measuring



UNIROL 80 C

3.2 UNIROL 100 C

3.2.1 Product specification

UNIROL 100 C



Pricelist

Extra charges

Standard version

- ✓ Mechanical motor Kaiser Nienhaus
- ✓ Extruded box 100 x 100 mm
- ✓ Plastic-coated stainless steel wire Ø 3 mm
- ✓ Brackets wall
- ✓ Wire holder DLM 20 - 40
- ✓ Fabric Soltis 92, Soltis 7635 from the collection CLIMAX
- ✓ Steel shaft, zinc-coated - Ø 63 mm, Ø 78 mm

Construction colours

Colour version	Delivery time	Extra charge
white (RAL 9016)	1 week	no
silver (RAL 9006)		
anthracite (RAL 7016)		
other varnished	2 weeks	yes

Other varnished: RAL, DB703, VSR 780, Sablé 2900

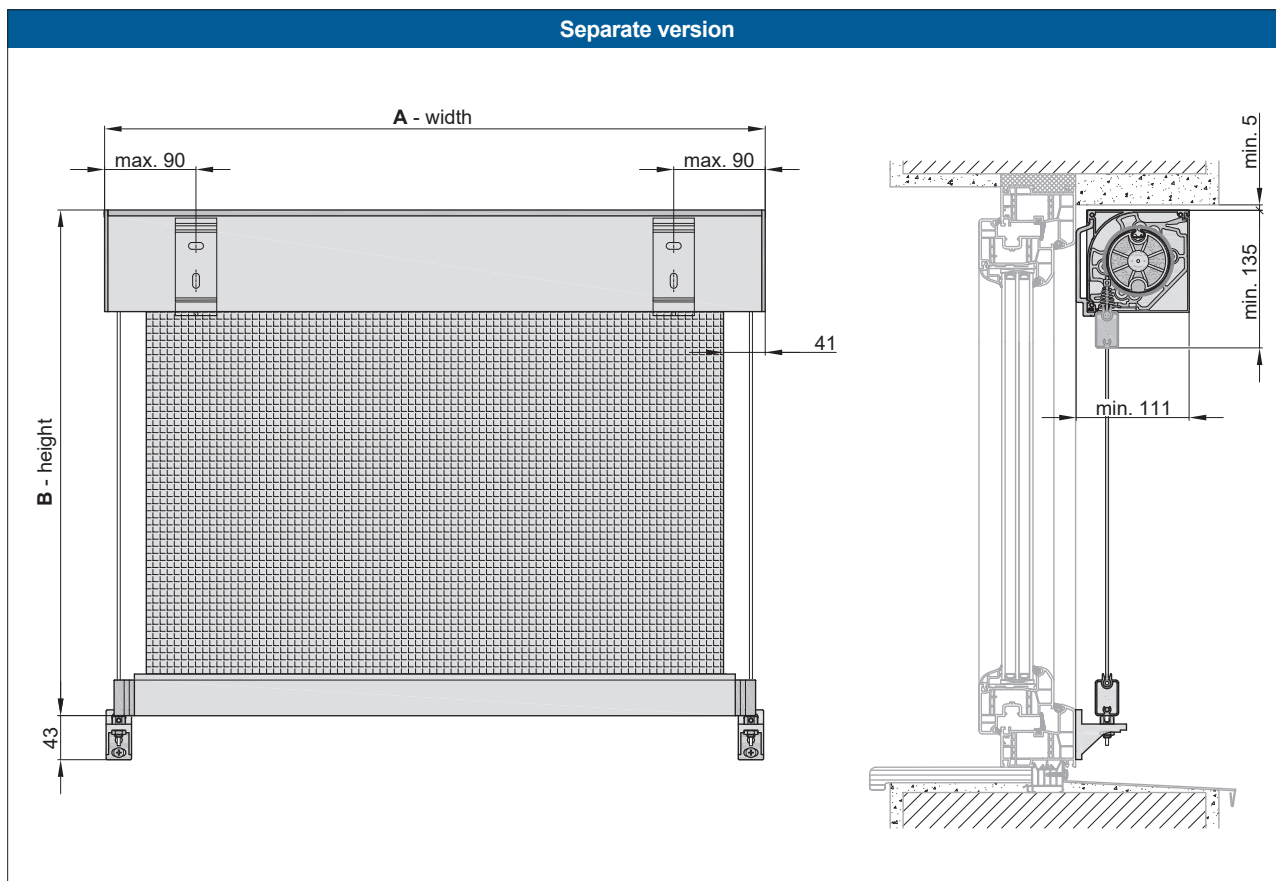
Limit dimensions

TYPE	OPERATION	Fabric	Width [cm]			Height [cm]	Area
			Min.	Max. with shaft Ø 63 mm	Max. with shaft Ø 78 mm	Max.	Max.
UNIROL 100 C	Motor	Soltis 86, 92, B92, 96	see table of motors	300	350	350	9 m ²
		Soltis 7635					
		Soltis Veozip					
		Mermet 5500, 21154 BO					
		Helioscreen					
	Acryl	150	6.5 m ²				
	Crank	Soltis 86, 92, B92, 96	50	300	-	350	8 m ²
		Soltis 7635					
		Soltis Veozip					
		Mermet 5500, 21154 BO					
Helioscreen							
Acryl	150	6.5 m ²					

Note:

- for screens, the maximum width-to-height ration of 1:3 is guaranteed for widths ≤ 100 cm

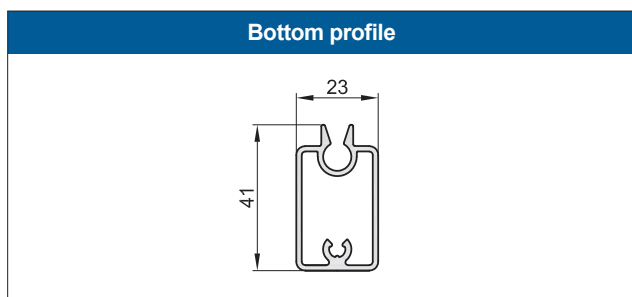
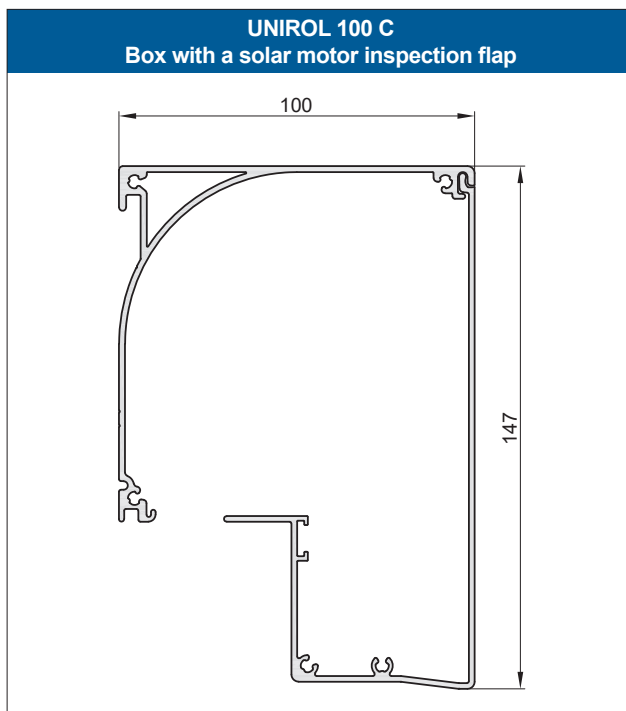
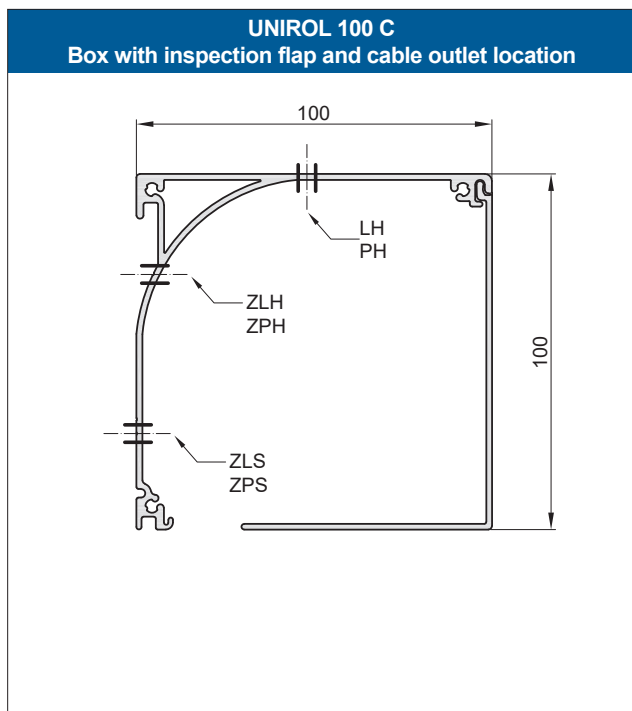
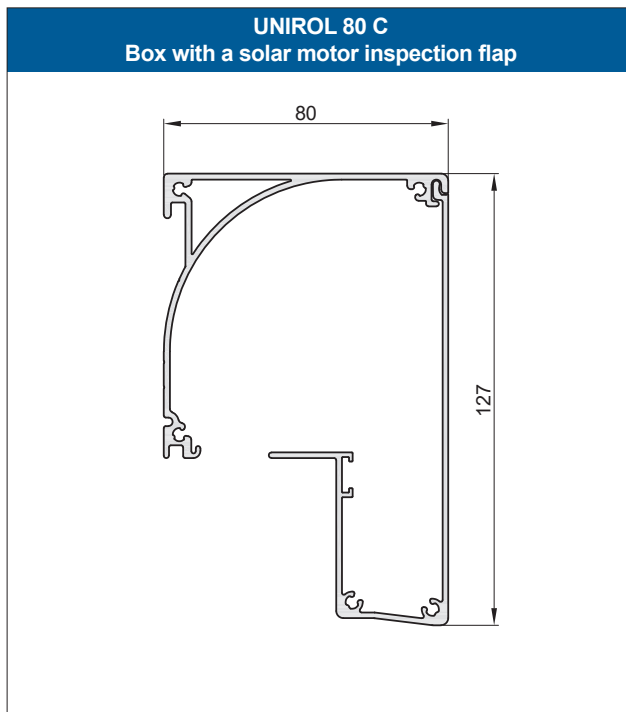
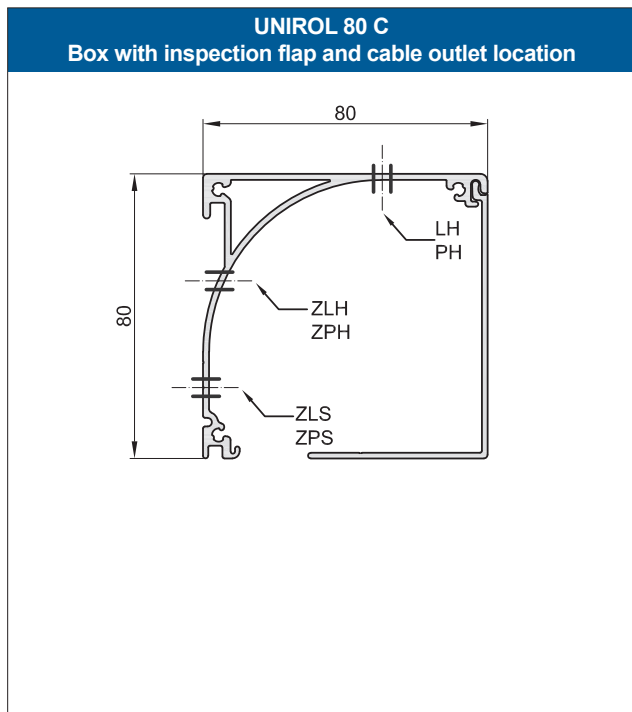
3.2.2 Measuring



UNIROL 100 C

3.4 Common section

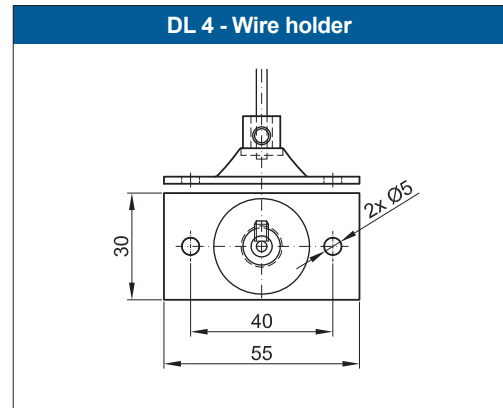
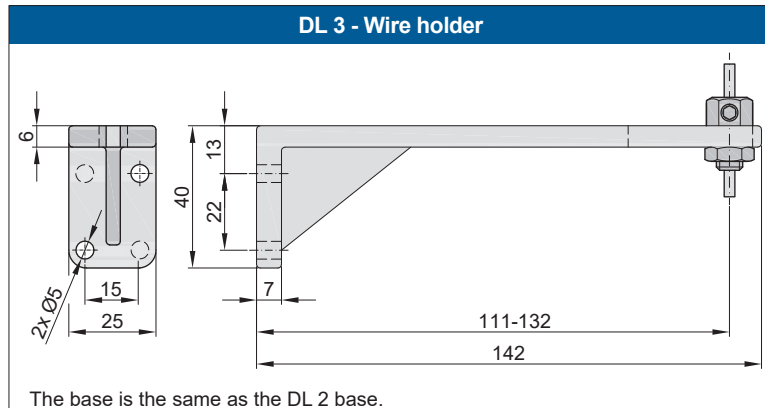
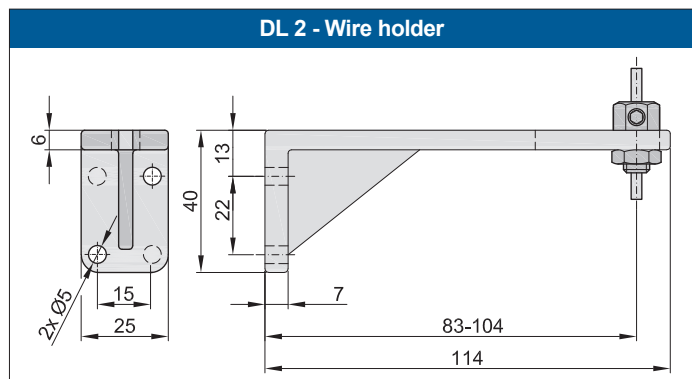
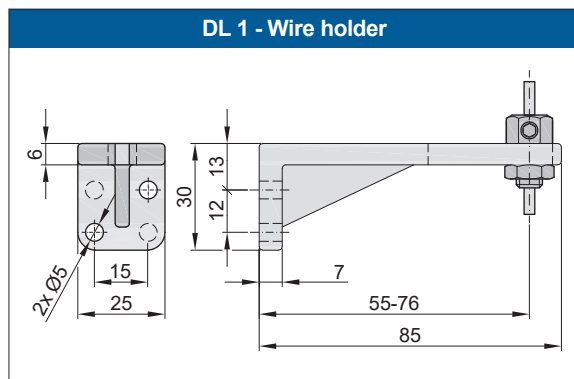
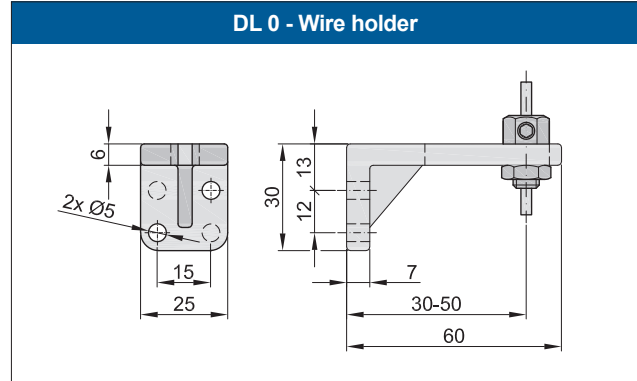
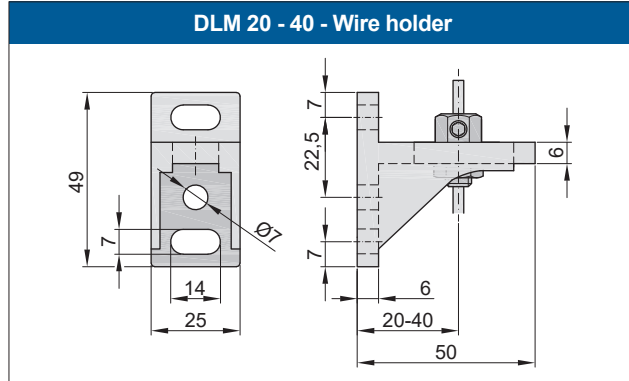
3.4.1 Cross-sections of profiles and components



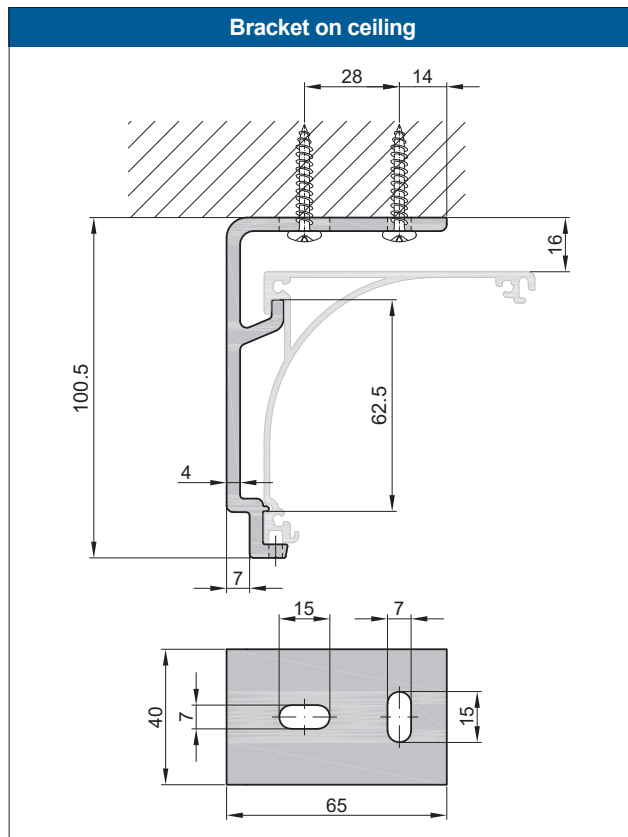
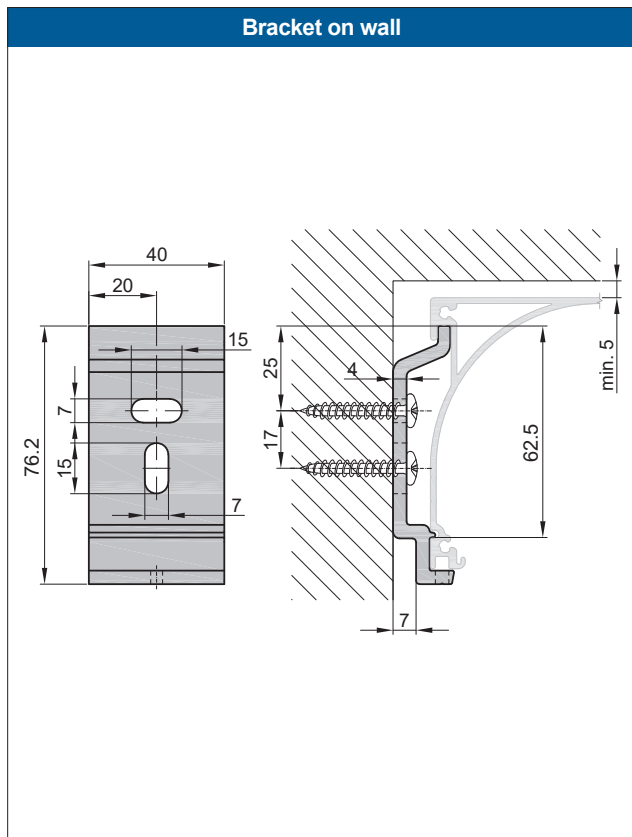
UNIROL C

3.4.2 Holders and brackets

Wire holders

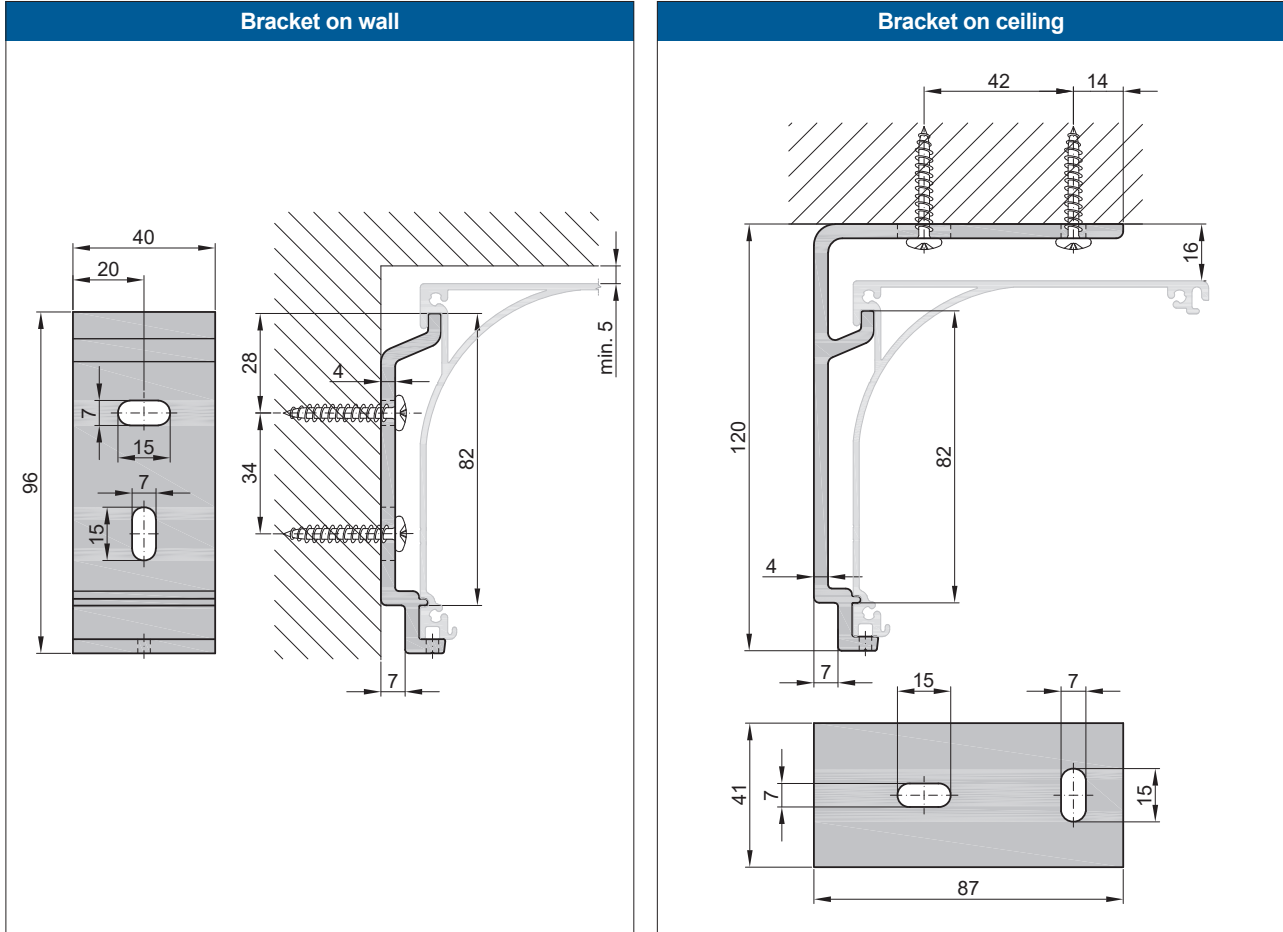


Brackets for anchoring the box - UNIROL 80 C



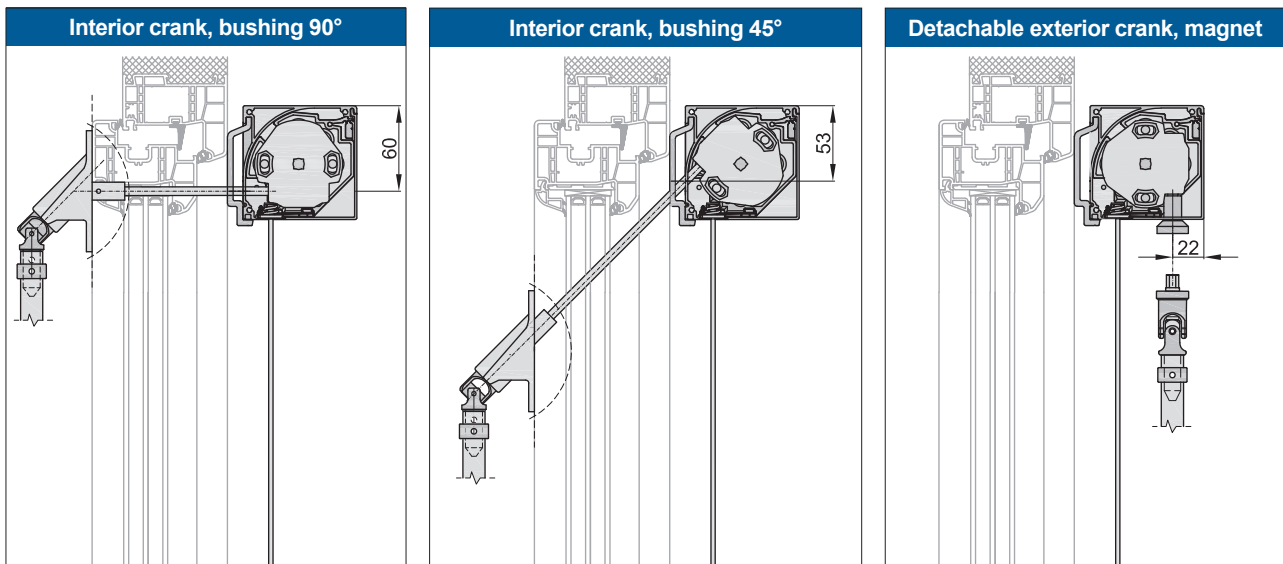
UNIROL C

Brackets for anchoring the box - UNIROL 100 C



3.4.3 Manual control

UNIROL 80 C



4. UNIROL R

4.1 UNIROL 80 R

4.1.1 Product specification


[Pricelist](#)
[Extra charges](#)

Standard version

- ✓ Mechanical motor Kaiser Nienhaus
- ✓ Extruded box 80 x 80 mm
- ✓ Guide rails 32 x 29.5 mm
- ✓ Guide rails with holes for instalation wall / laterally into reveal
- ✓ Fabric Soltis 92, Soltis 7635 from the collection CLIMAX
- ✓ Aluminum shaft - Ø 50 mm

Construction colours

Colour version	Delivery time	Extra charge
white (RAL 9016)	1 week *	no
silver (RAL 9006)		
anthracite (RAL 7016)	2 weeks	yes
other varnished		

Other varnished: RAL, DB703, VSR 780, Sablé 2900

* for version on PKF brackets - Delivery time 2 weeks

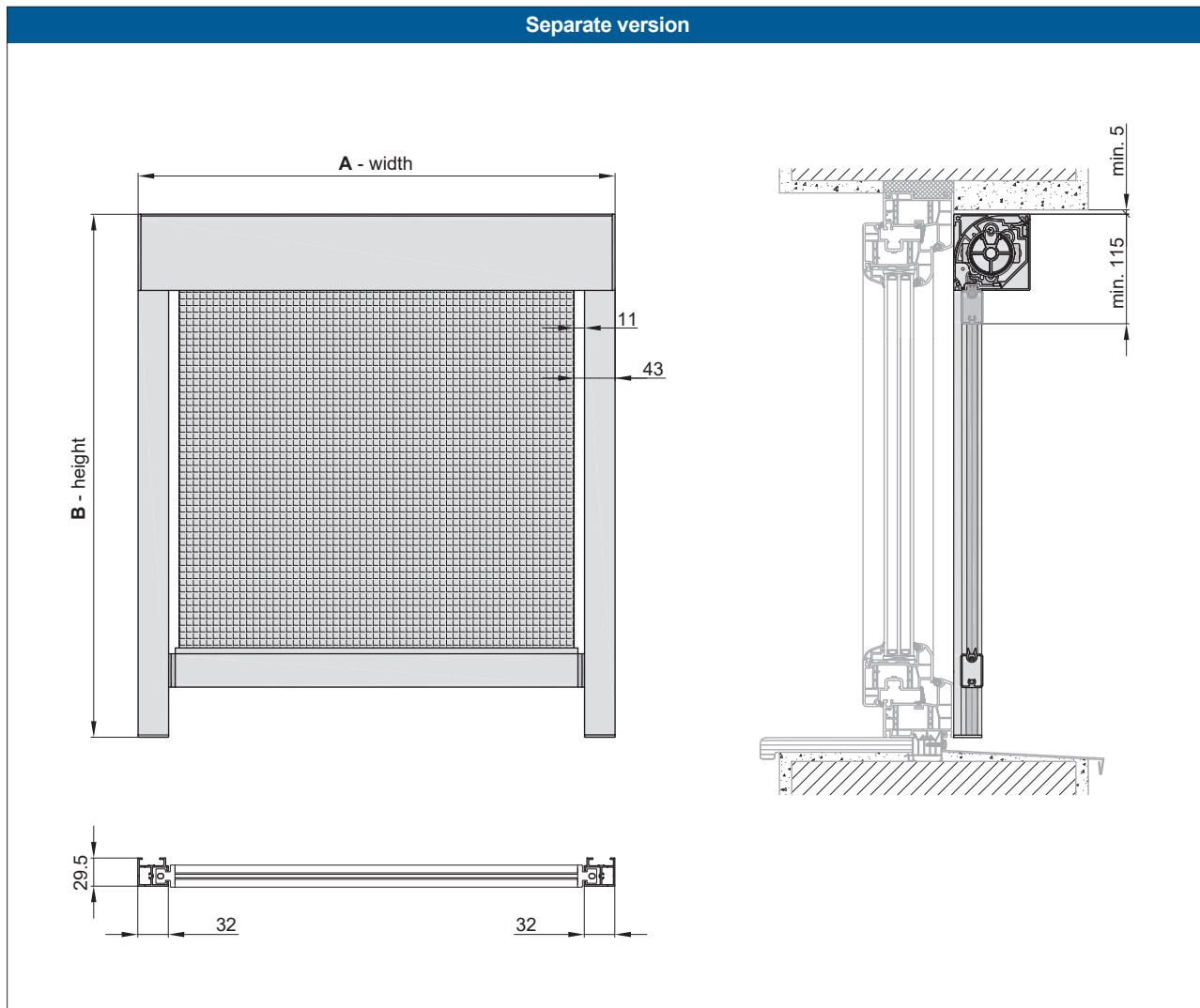
Limit dimensions

TYPE	OPERATION	Fabric	Width [cm]		Height [cm]	Area
			Min.	Max.	Max.	Max.
UNIROL 80 R	Motor	Soltis 86, 92, B92, 96	see table of motors	300	220	6.6 m ²
		Soltis 7635				
		Soltis Veozip				
		Mermet 5500, 21154 BO				
		Helioscreen				
	Crank	Soltis 86, 92, B92, 96	50	300	220	6.6 m ²
		Soltis 7635				
		Soltis Veozip				
		Mermet 5500, 21154 BO				
		Helioscreen				

Note:

- for screens, the maximum width-to-height ration of 1:3 is guaranteed for widths ≤ 100 cm

4.1.2 Measuring



UNIROL 80 R

4.2 UNIROL 100 R

4.2.1 Product specification


[Pricelist](#)
[Extra charges](#)

Standard version

- ✓ Mechanical motor Kaiser Nienhaus
- ✓ Extruded box 100 x 100 mm
- ✓ Guide rails 32 x 29.5 mm
- ✓ Guide rails with holes for instalation wall / laterally into reveal
- ✓ Fabric Soltis 92, Soltis 7635 from the collection CLIMAX
- ✓ Steel shaft, zinc-coated - Ø 63 mm, Ø 78 mm

Construction colours

Colour version	Delivery time	Extra charge
white (RAL 9016)	1 week *	no
silver (RAL 9006)		
anthracite (RAL 7016)		
other varnished	2 weeks	yes

Other varnished: RAL, DB703, VSR 780, Sablé 2900

* for version on PKF brackets - Delivery time 2 weeks

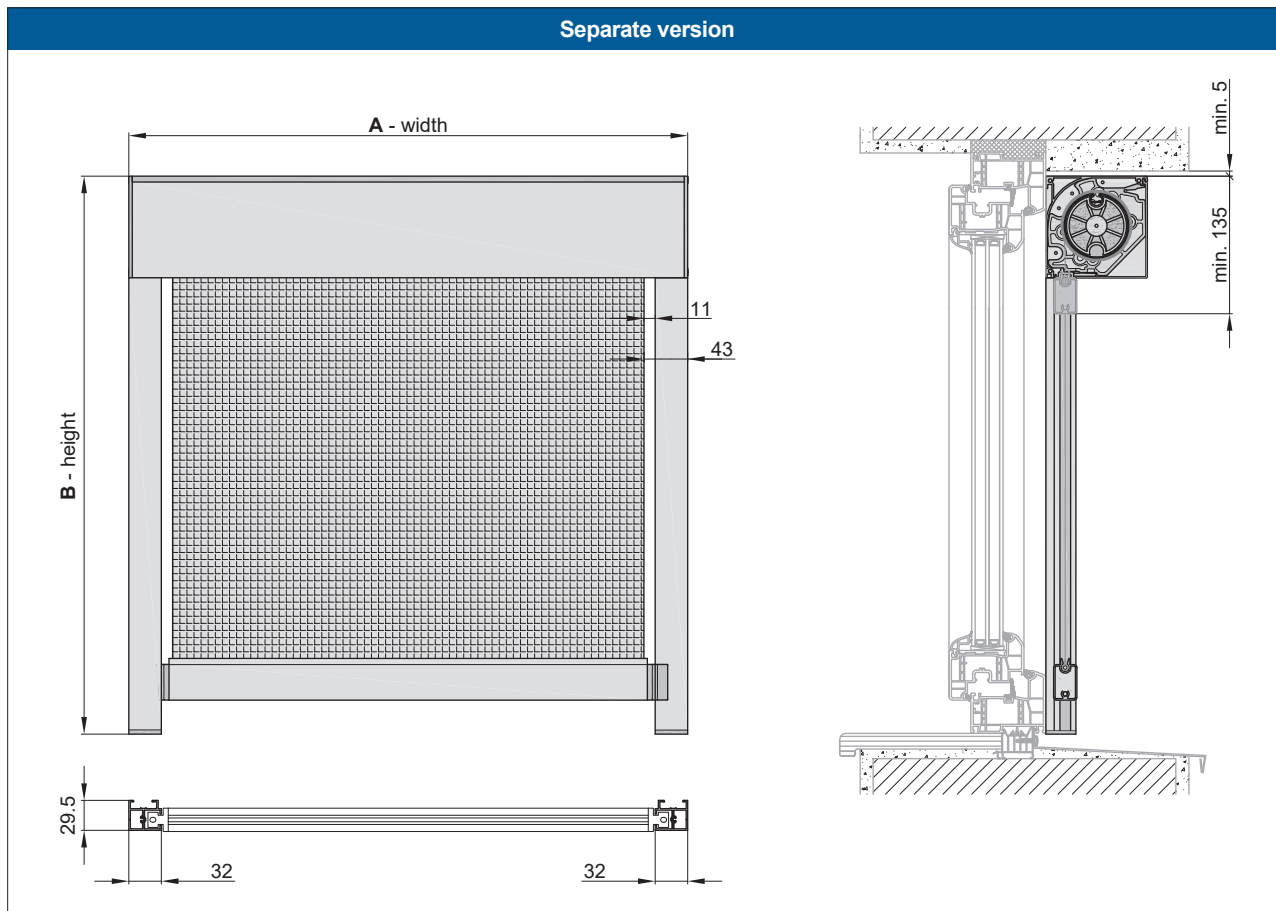
Limit dimensions

TYPE	OPERATION	Fabric	Width [cm]			Height [cm]	Area
			Min.	Max. with shaft Ø 63 mm	Max. with shaft Ø 78 mm	Max.	Max.
UNIROL 100 R	Motor	Soltis 86, 92, B92, 96	see table of motors	300	350	350	9 m ²
		Soltis 7635					
		Soltis Veozip					
		Mermet 5500, 21154 BO					
		Helioscreen					
		Acryl		150	6.5 m ²		
	Crank	Soltis 86, 92, B92, 96	50	300	-	350	8 m ²
		Soltis 7635					
		Soltis Veozip					
		Mermet 5500, 21154 BO		330			6.5 m ²
		Helioscreen					
	Acryl	150					
	Connected roller screens	(one-piece box) - max. connections 1, the motor can be placed only at the edge.					
	Motor	Soltis 86, 92, B92, 96	see table of motors	595	-	350	18 m ²
Soltis 7635							
Soltis Veozip							
Mermet 5500, 21154 BO							
Helioscreen							
Acryl	150						

Note:

- for screens, the maximum width-to-height ration of 1:3 is guaranteed for widths ≤ 100 cm

4.2.2 Measuring

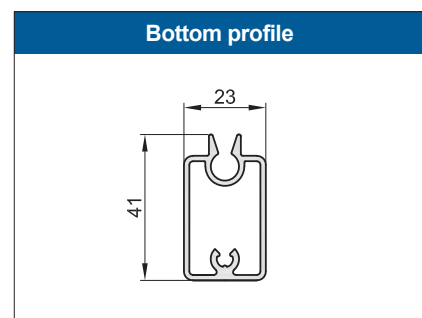
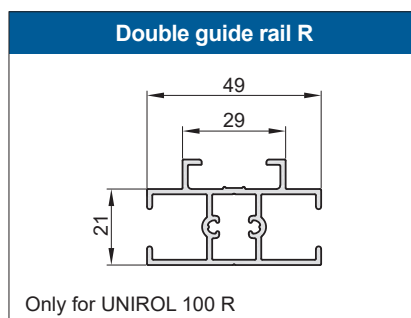
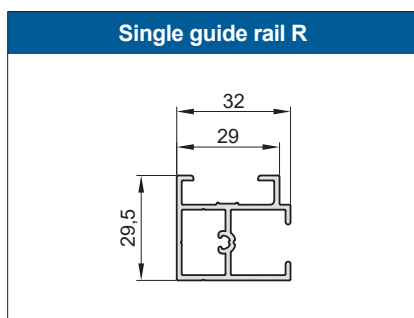
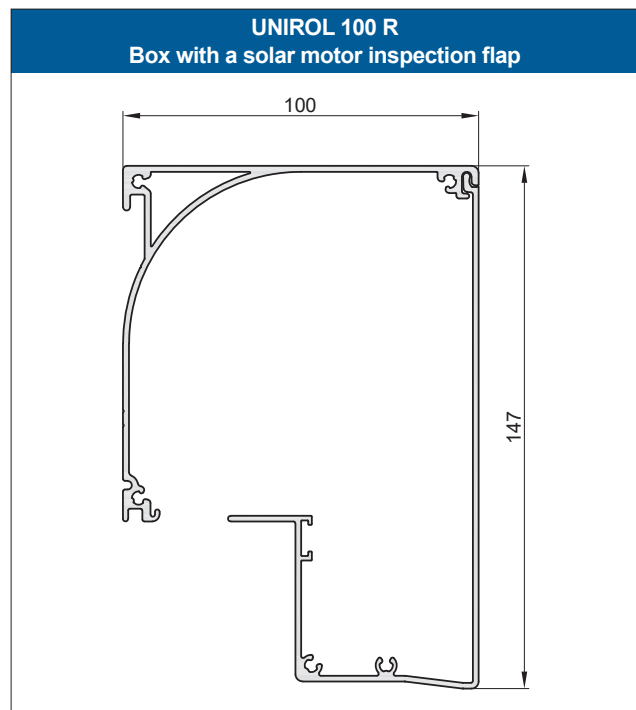
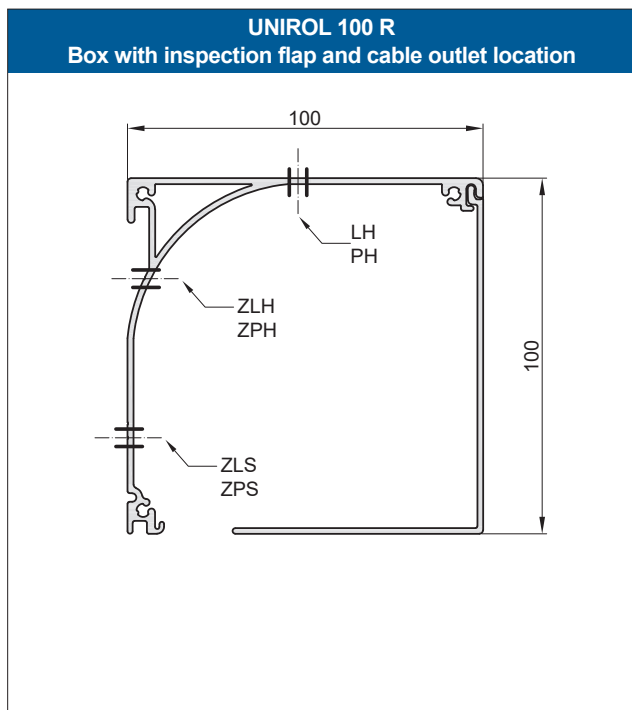
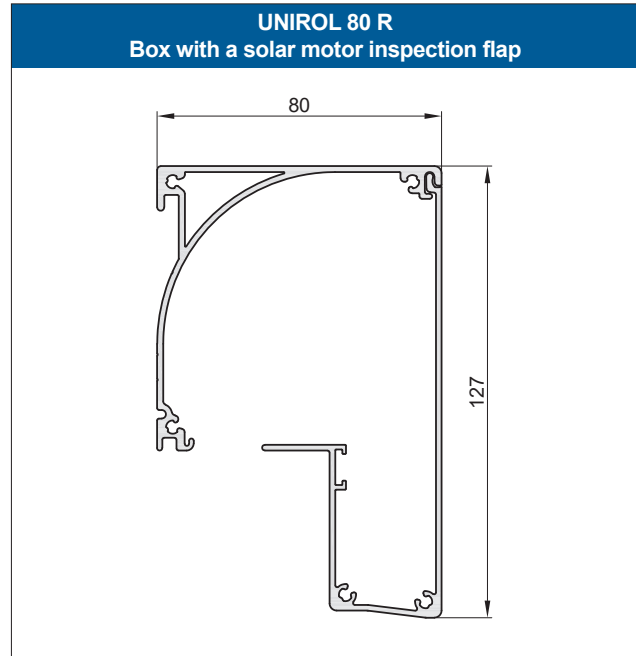
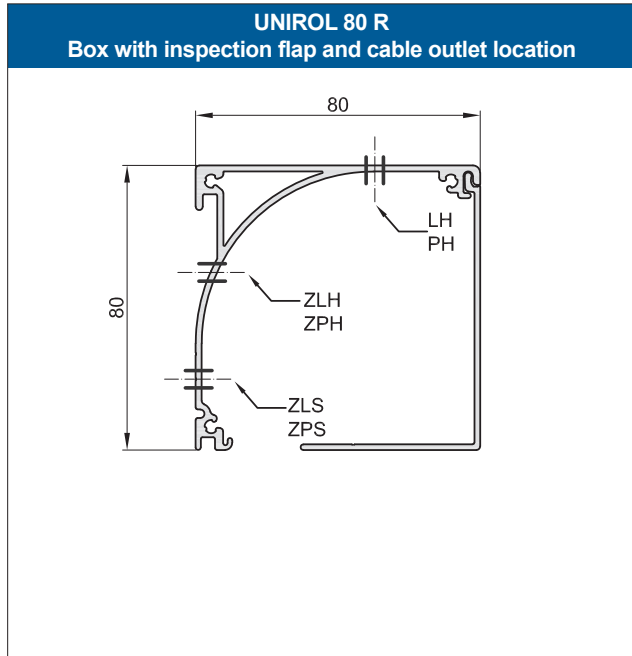


UNIROL 100 R

In the connected version, a double guide rail is always used. The motor can be placed only at the edge.

4.4 Common section

4.4.1 Cross-sections of profiles and components



UNIROL R

4.4.2 PKF brackets

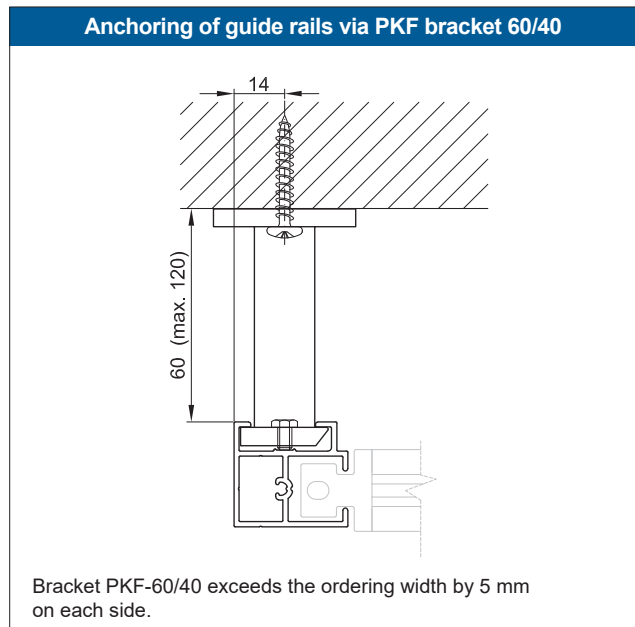
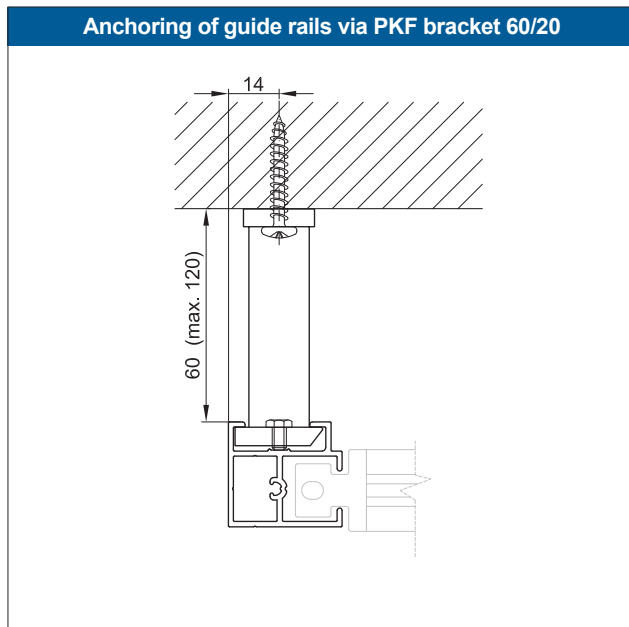
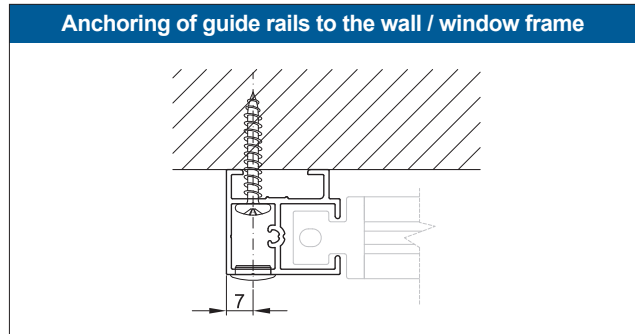
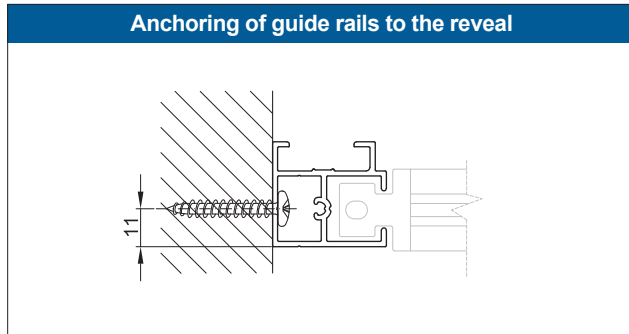
PKF brackets for self-supporting version

PKF 60/20 PKF 60/40

Bracket PKF-60/40 exceeds the ordering width by 5 mm on each side.

Recommended number of brackets PKF per 1 guide rail		
	Height [cm]	Number of brackets
80 R	50 - 160	2 pcs
	160.1 - 200	3 pcs
100 R	50 - 160	2 pcs
	160.1 - 250	3 pcs
	250.1 - 350	4 pcs

4.4.3 Anchoring



5. UNIROL Z

5.1 UNIROL 80 Z

5.1.1 Product specification


[Pricelist](#)
[Extra charges](#)

Standard version

- ✓ Mechanical motor Kaiser Nienhaus
- ✓ Extruded box 80 x 80 mm
- ✓ Guide rails S4, 41 x 43 mm
- ✓ Guide rails with holes for instalation wall / laterally into reveal
- ✓ Fabric Soltis 92, Soltis 7635 from the collection CLIMAX
- ✓ Aluminum shaft - Ø 50 mm

Construction colours

Colour version	Delivery time	Extra charge
white (RAL 9016)		
silver (RAL 9006)	1 week *	no
anthracite (RAL 7016)		
other varnished	2 weeks	yes

Other varnished: RAL, DB703, VSR 780, Sablé 2900

* for version on PKF brackets - Delivery time 2 weeks

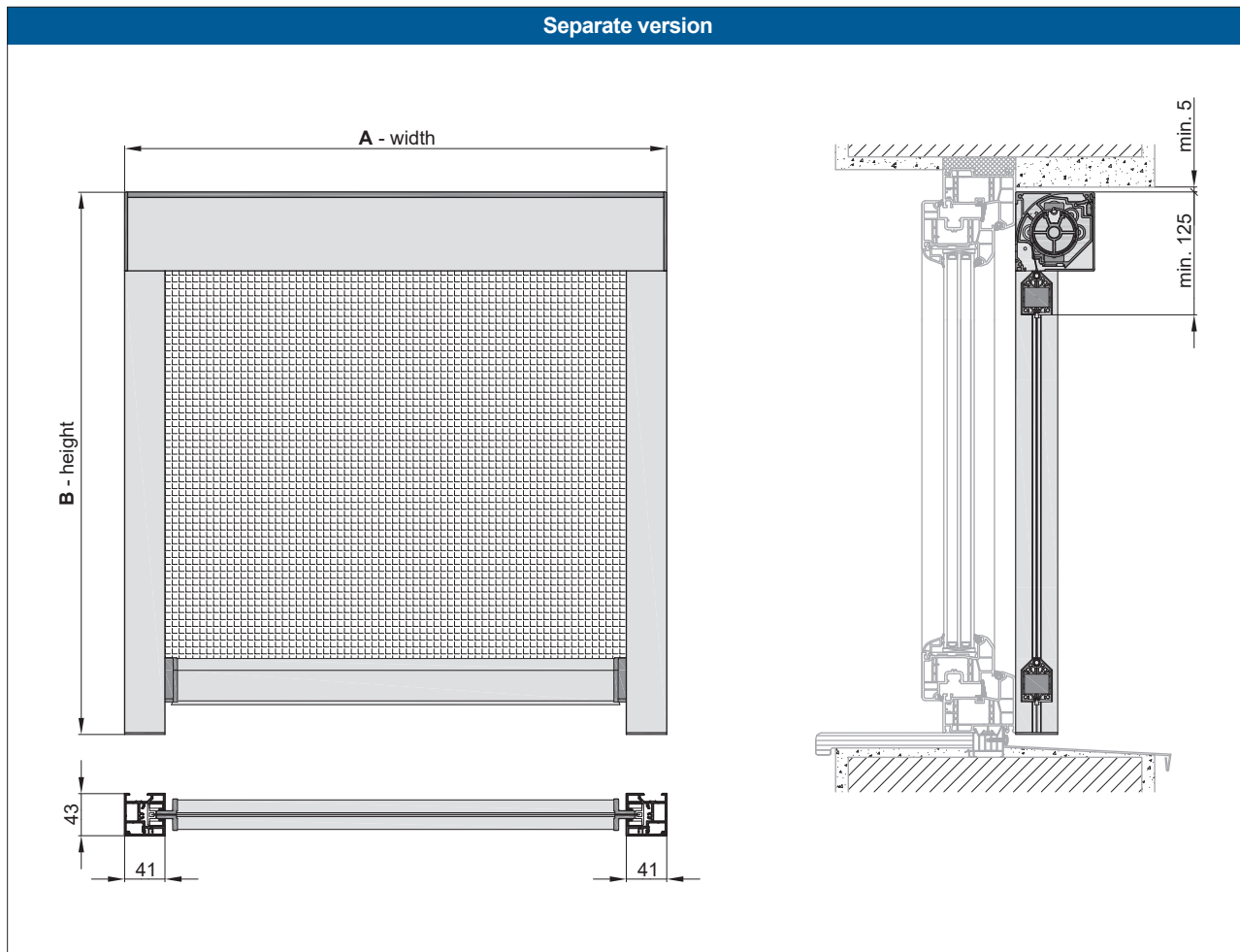
Limit dimensions

TYPE	OPERATION	Fabric	Width [cm]		Height [cm]	Area
			Min.	Max.	Max.	Max.
UNIROL 80 Z	Motor	Soltis 86, 92, B92, 96	see table of motors	300	200	6 m ²
		Soltis 7635				
		Soltis Veozip				
		Mermet 5500, 21154 BO				
		Helioscreen				
	Crank	Soltis 86, 92, B92, 96	50	300	200	6 m ²
		Soltis 7635				
		Soltis Veozip				
		Mermet 5500, 21154 BO				
		Helioscreen				

Note:

- for screens, the maximum width-to-height ration of: 1:4 is guaranteed for widths ≤ 100 cm when choosing S3, S4, S5, and S6 guide rails
- 1:3 is guaranteed for widths ≤ 100 cm when choosing other guide rails

5.1.2 Measuring



UNIROL 80 Z

5.2 UNIROL 100 Z

5.2.1 Product specification

[Pricelist](#)
[Extra charges](#)


Standard version

- ✓ Mechanical motor Kaiser Nienhaus
- ✓ Extruded box 100 x 100 mm
- ✓ Guide rails S4, 41 x 43 mm
- ✓ Guide rails with holes for installation wall / laterally into reveal
- ✓ Fabric Soltis 92, Soltis 7635 from the collection CLIMAX
- ✓ Steel shaft, zinc-coated - Ø 63 mm, Ø 78 mm

Construction colours

Colour version	Delivery time	Extra charge
white (RAL 9016)	1 week *	no
silver (RAL 9006)		
anthracite (RAL 7016)		
other varnished	2 weeks	yes

Other varnished: RAL, DB703, VSR 780, Sablé 2900

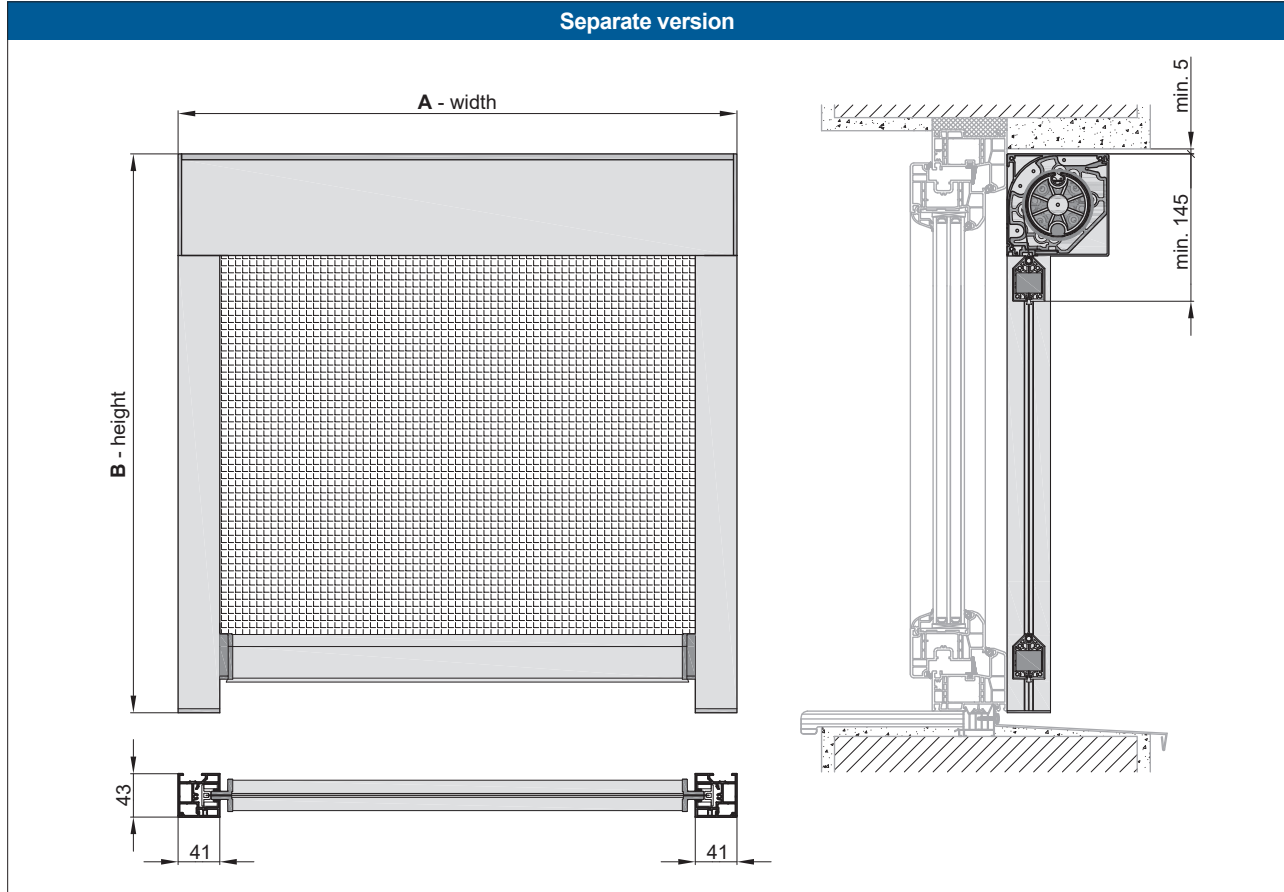
* for version on PKF brackets - Delivery time 2 weeks

Limit dimensions								
TYPE	OPERATION	Fabric	Width [cm]			Height [cm]		Area
			Min.	Max. with shaft Ø 63 mm	Max. with shaft Ø 78 mm	Max. with shaft Ø 63 mm	Max. with shaft Ø 78 mm	Max.
UNIROL 100 Z	Motor	Soltis 86, 92, B92, 96	see table of motors	300	350	300	230	9 m ²
		Soltis 7635		330	400			
		Soltis Veozip						
		Mermet 5500, 21154 BO						
		Helioscreen						
	Crank	Soltis 86, 92, B92, 96	50	300	-	300	-	6.5 m ²
		Soltis 7635						
		Soltis Veozip						
		Mermet 5500, 21154 BO						
		Helioscreen						
	Connected roller screens	(one-piece box) - max. connections 1, the motor can be placed only at the edge.						
	Motor	Soltis 86, 92, B92, 96	see table of motors	595	-	300	-	17.8 m ²
		Soltis 7635						
		Soltis Veozip						
		Mermet 5500, 21154 BO						
Helioscreen								

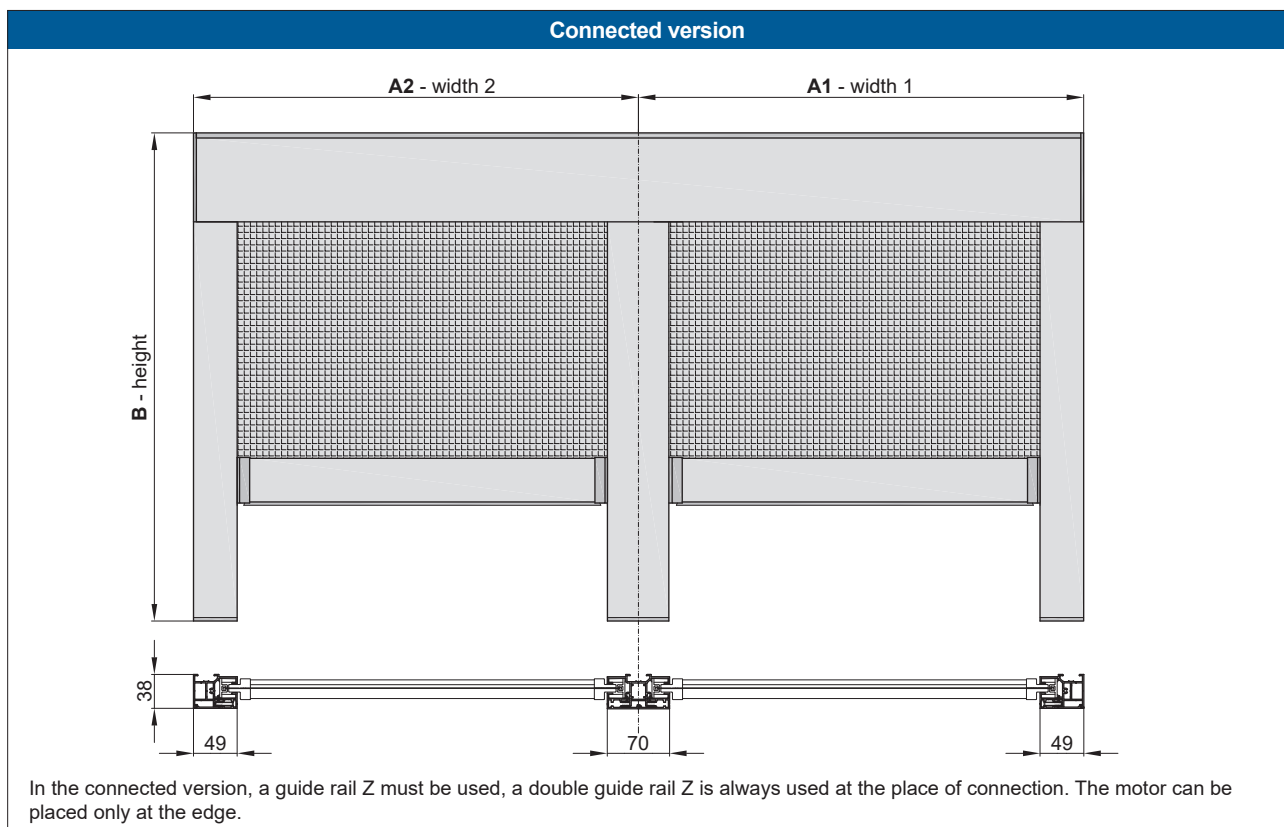
Note:

- for screens, the maximum width-to-height ration of: 1:4 is guaranteed for widths ≤ 100 cm when choosing S3, S4, S5, and S6 guide rails
- 1:3 is guaranteed for widths ≤ 100 cm when choosing other guide rails

5.2.2 Measuring



UNIROL 100 Z



5.3 UNIROL 130 Z

5.3.1 Product specification



Pricelist

Extra charges

Standard version

- ✓ Mechanical motor Kaiser Nienhaus
- ✓ Extruded box 130 x 130 mm
- ✓ Guide rails S4, 41 x 43 mm
- ✓ Guide rails with holes for installation wall / laterally into reveal
- ✓ Fabric Soltis 92, Soltis 7635 from the collection CLIMAX
- ✓ Steel shaft, zinc-coated - Ø 85 mm

Construction colours

Colour version	Delivery time	Extra charge
white (RAL 9016)	1 week *	no
silver (RAL 9006)		
anthracite (RAL 7016)		
traffic white (RAL 9016 JS TIGER)	2 weeks	yes / no **
beige (RAL 1015 JS TIGER)		
silver (RAL 9006 JS TIGER)		
anthracite (RAL 7016 JS TIGER)		
dark grey (DB 703 JS TIGER)		
brown (RAL 8014 JS)	2 weeks	yes
other varnished		

Other varnished: RAL, DB703, VSR 780, Sablé 2900

* for version on PKF brackets - delivery time 2 weeks

** when ordered with the Lamelino bioclimatic pergola

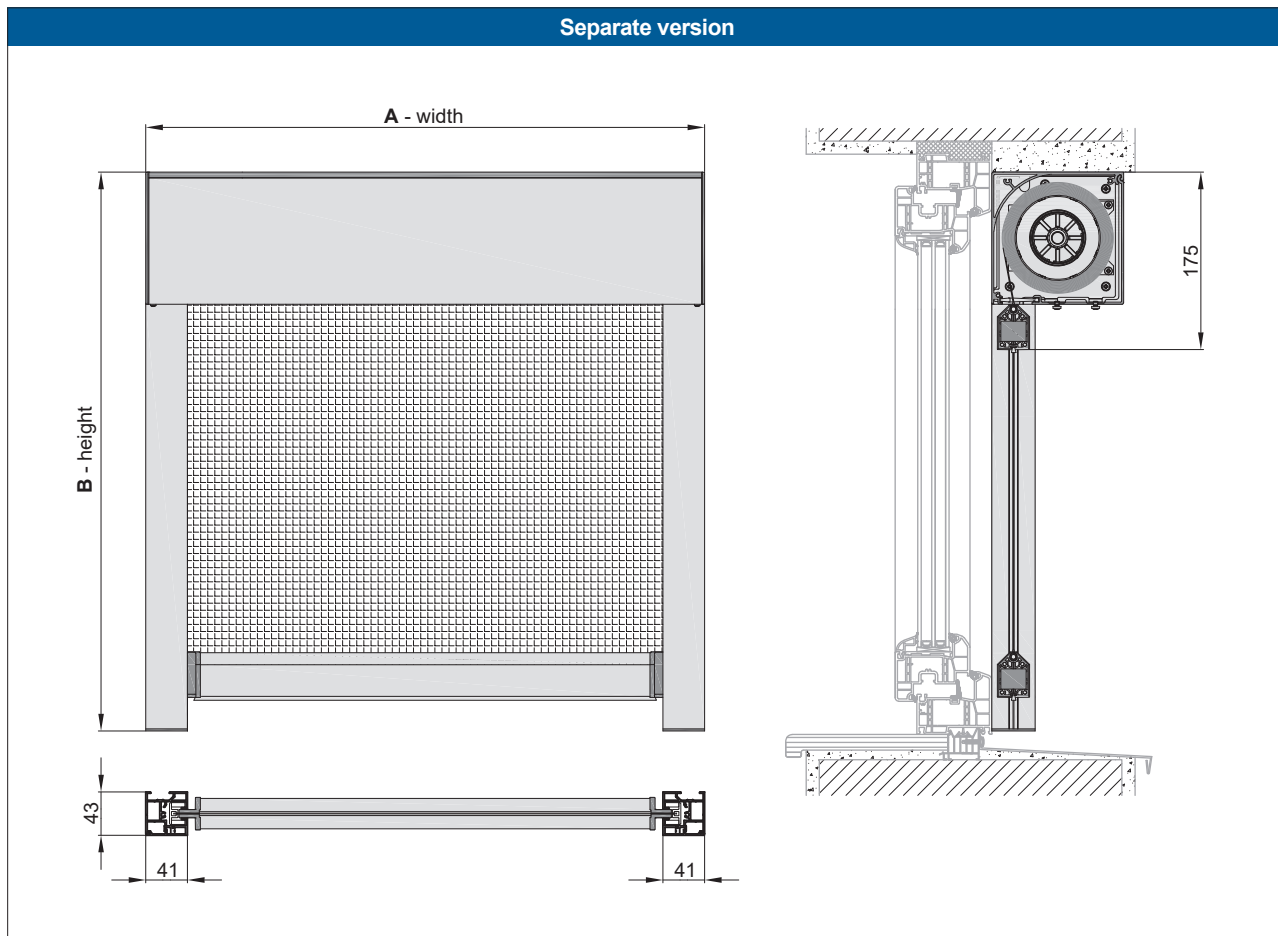
Limit dimensions

TYPE	OPERATION	Fabric	Width [cm]		Height [cm]	Area
			Min.	Max.	Max.	Max.
UNIROL 130 Z	Motor	Soltis 86, 92, B92, 96	see table of motors	400	415	18 m ²
		Soltis Veozip				
		Soltis 7635				
		Mermet 5500, 21154 BO		400	450	
		Helioscreen				
		Soltis 7635		600	300	
		Mermet 5500, 21154 BO				
Helioscreen						

Note:

- for screens, the maximum width-to-height ration of: 1:4 is guaranteed for widths ≤ 100 cm when choosing S3, S4, S5, and S6 guide rails
1:3 is guaranteed for widths ≤ 100 cm when choosing other guide rails
- for screens with a width of over 400 cm, the box must be anchored through the top of the profile
- for roller blind screens with a width of over 440 cm, the end positions are not set

5.3.2 Measuring



UNIROL 130 Z

5.4 UNIROL 150 Z

5.4.1 Product specification


[Pricelist](#)
[Extra charges](#)

Standard version

- ✓ Mechanical motor Kaiser Nienhaus
- ✓ Extruded box 150 x 150 mm
- ✓ Guide rails S4, 41 x 43 mm
- ✓ Guide rails with holes for installation wall / laterally into reveal
- ✓ Fabric Soltis 92, Soltis 7635 from the collection CLIMAX
- ✓ Steel shaft, zinc-coated - Ø 85 mm

Construction colours

Colour version	Delivery time	Extra charge
white (RAL 9016)	1 week *	no
silver (RAL 9006)		
anthracite (RAL 7016)		
anthracite (RAL 7016 JS TIGER)	1 week	yes / no **
traffic white (RAL 9016 JS TIGER)	2 weeks	yes / no **
beige (RAL 1015 JS TIGER)		
silver (RAL 9006 JS TIGER)		
dark grey (DB 703 JS TIGER)		
brown (RAL 8014 JS)		
other varnished	2 weeks	yes

Other varnished: RAL, DB703, VSR 780, Sablé 2900

* for version on PKF brackets - delivery time 2 weeks

** when ordered with the Lamelino bioclimatic pergola

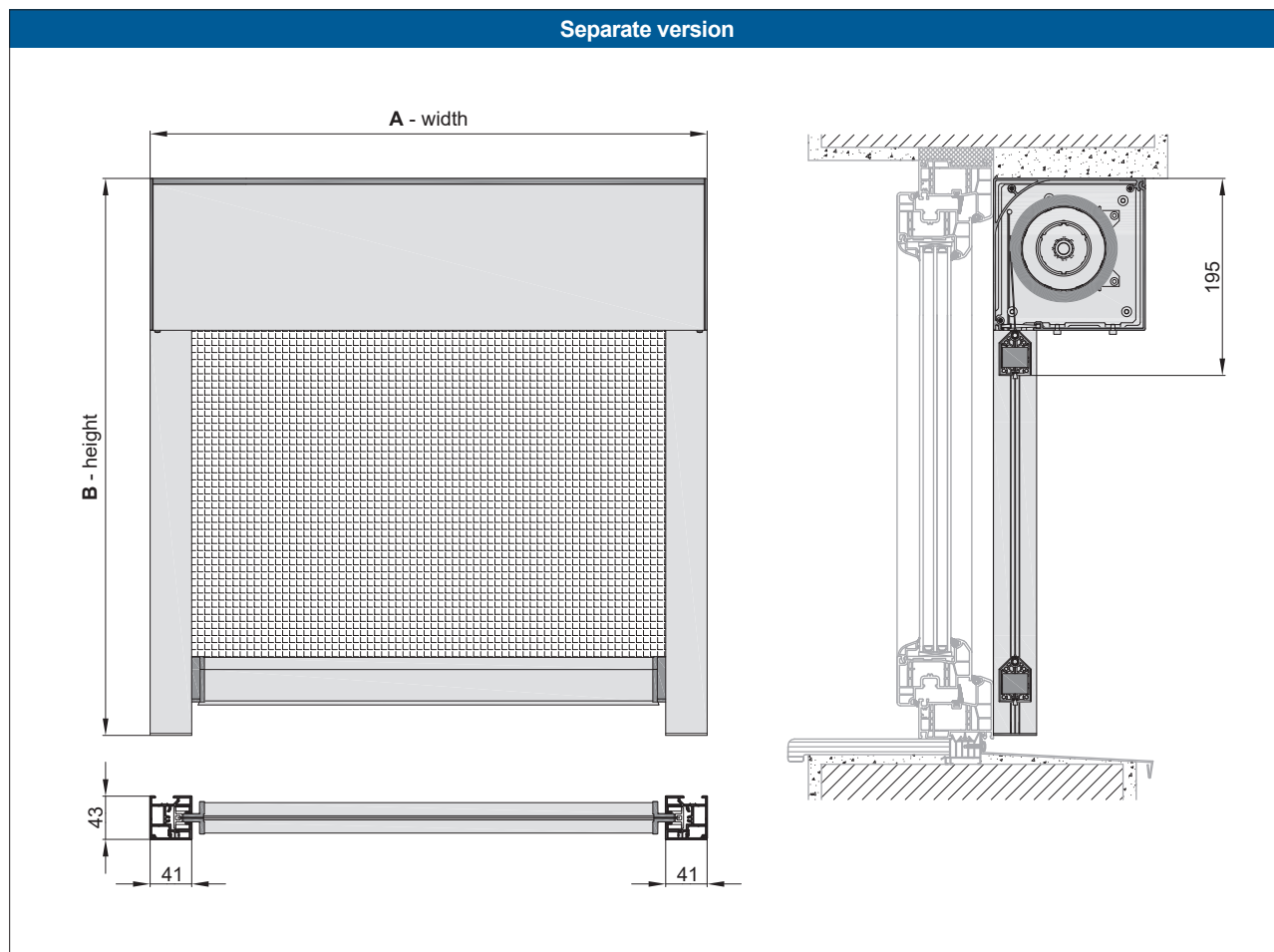
Limit dimensions

TYPE	OPERATION	Fabric	Width [cm]		Height [cm]	Area
			Min.	Max.	Max.	Max.
UNIROL 150 Z	Motor	Soltis 86, 92, B92, 96	see table of motors	400	415	20 m ²
		Soltis Veozip				
		Soltis 7635				
		Mermet 5500, 21154 BO				
		Helioscreen		600	300	
		Soltis 7635				
		Mermet 5500, 21154 BO				
		Helioscreen				

Note:

- for screens, the maximum width-to-height ration of: 1:4 is guaranteed for widths ≤ 100 cm when choosing S3, S4, S5, and S6 guide rails
1:3 is guaranteed for widths ≤ 100 cm when choosing other guide rails
- for screens with a width of over 400 cm, the box must be anchored through the top of the profile
- for roller blind screens with a width of over 440 cm, the end positions are not set

5.4.2 Measuring

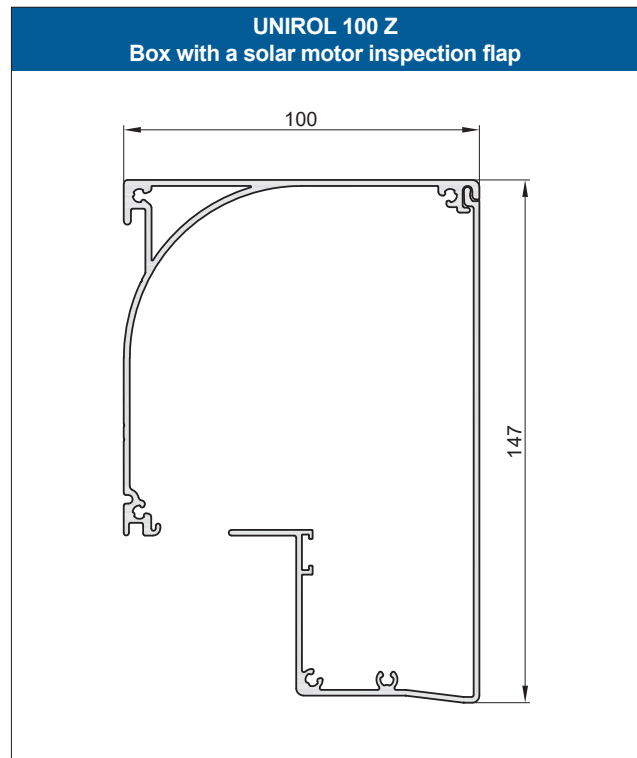
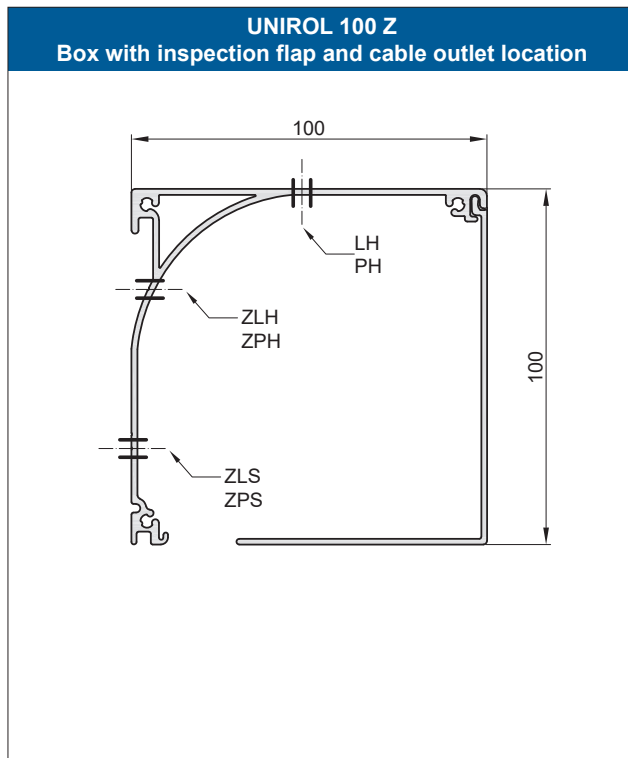
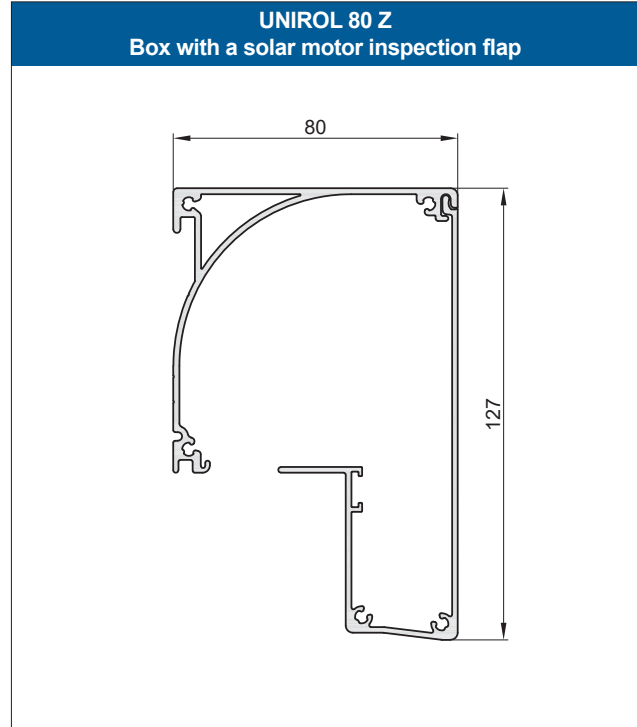
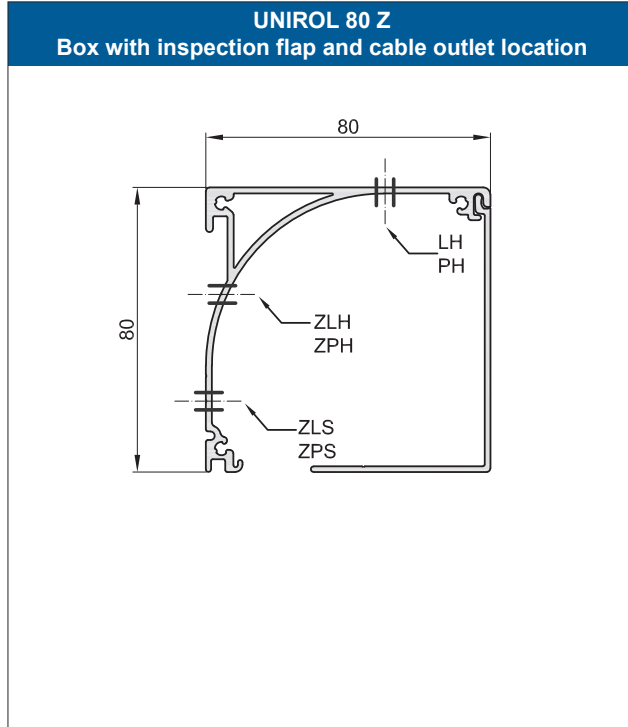


UNIROL 150 Z

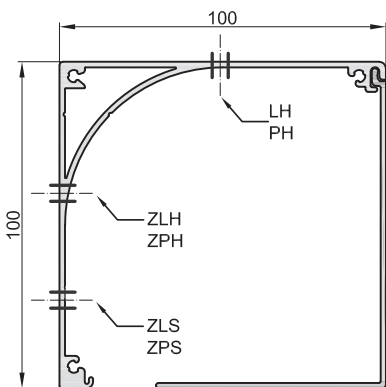
5.6 Common section

5.6.1 Cross-sections of profiles and components

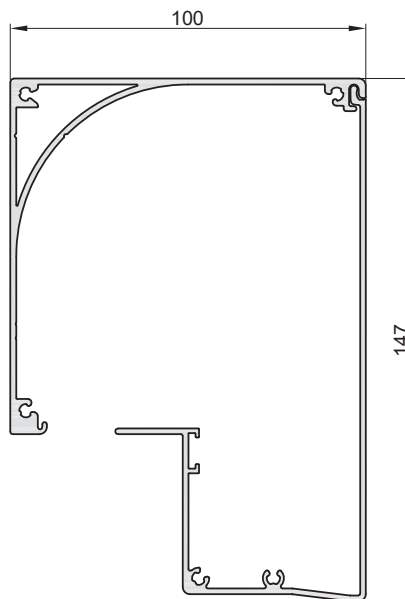
UNIROL Z



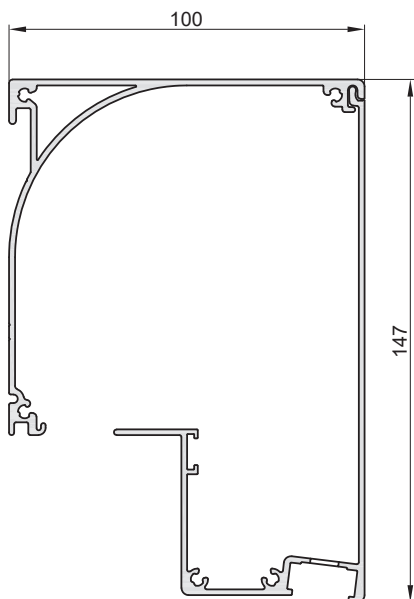
UNIROL 100 Z
Straight box with inspection flap and cable outlet location



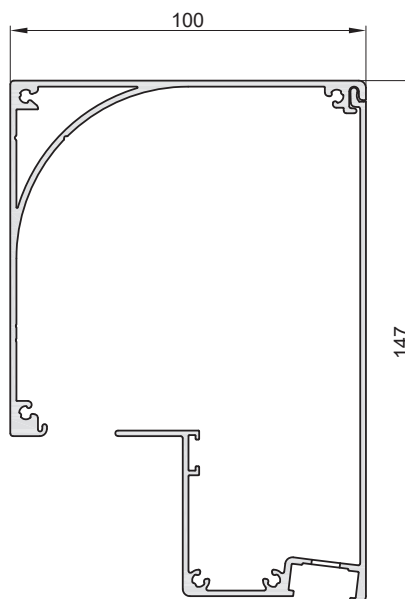
UNIROL 100 Z
Straight box with a solar motor inspection flap



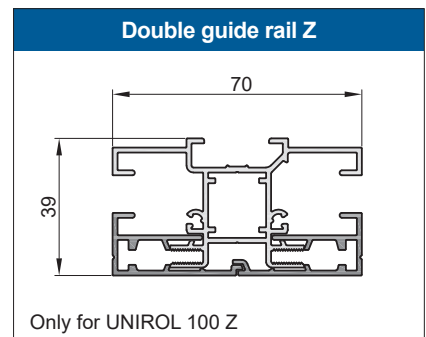
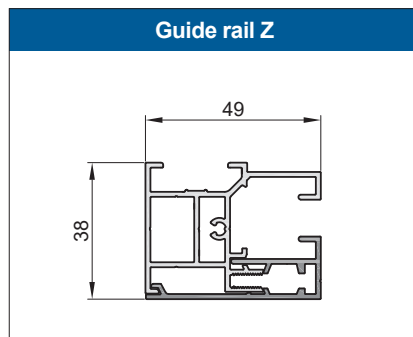
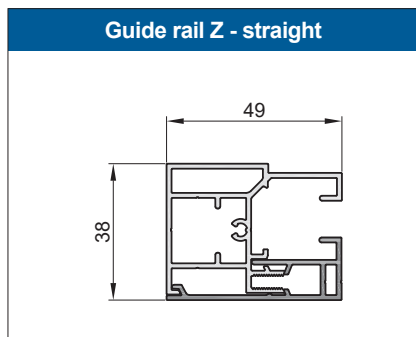
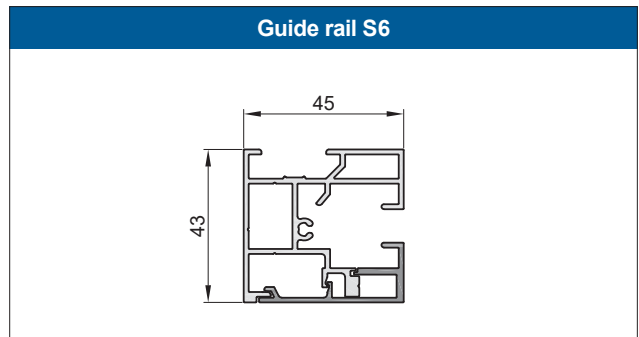
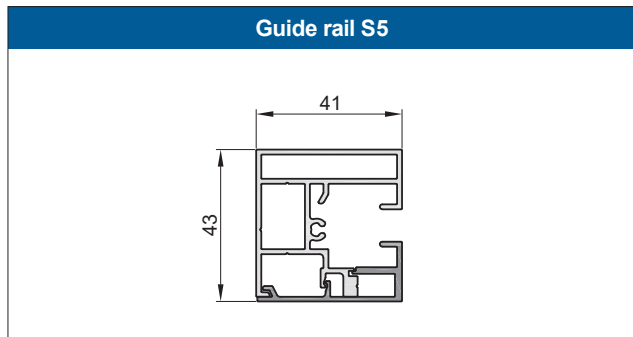
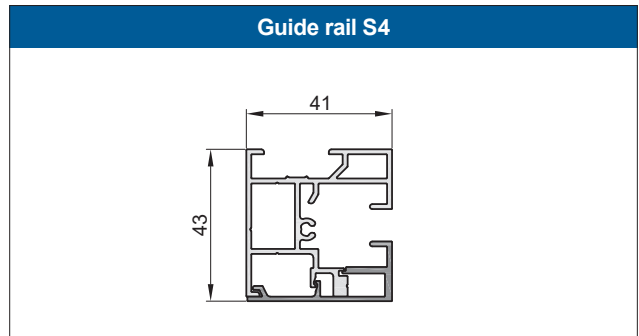
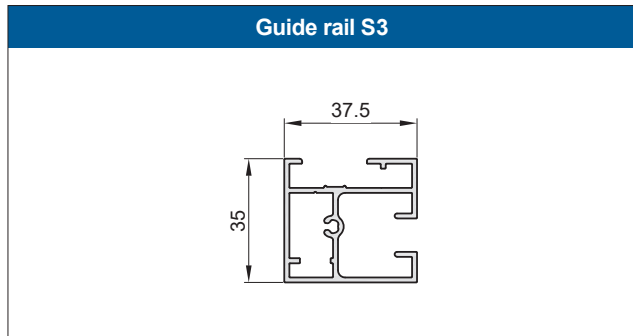
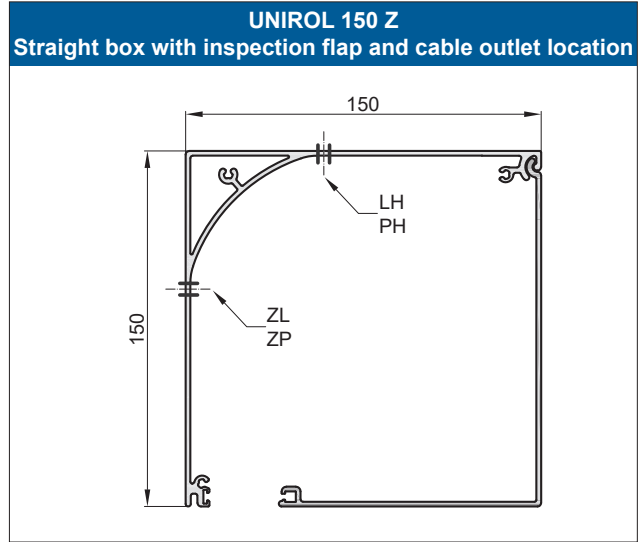
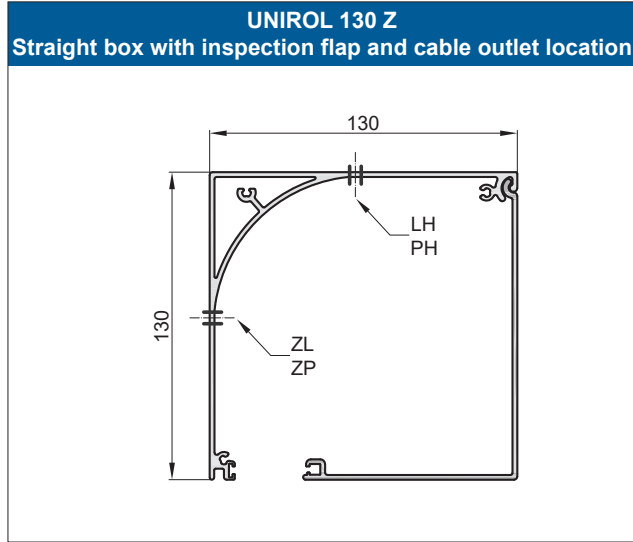
UNIROL 100 Z
Box with inspection flap for LED

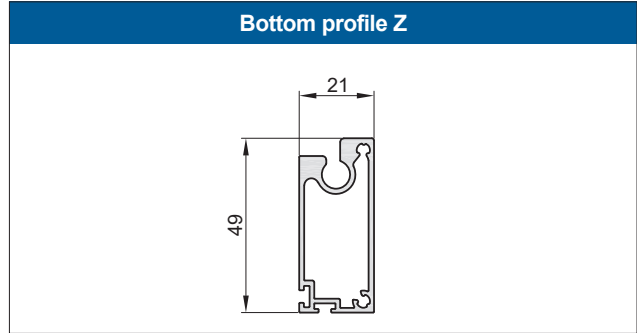
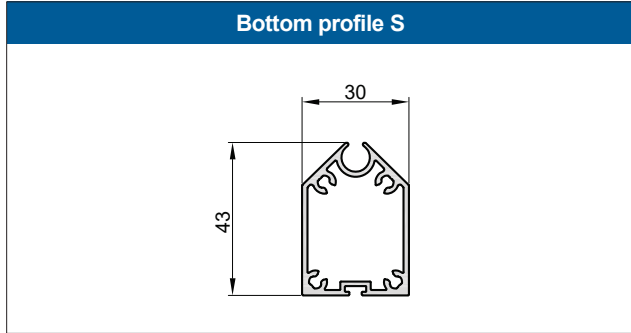


UNIROL 100 Z
Straight box with inspection flap for LED



5.6.1 Cross-sections of profiles and components





5.6.2 PKF brackets

PKF brackets for self-supporting version

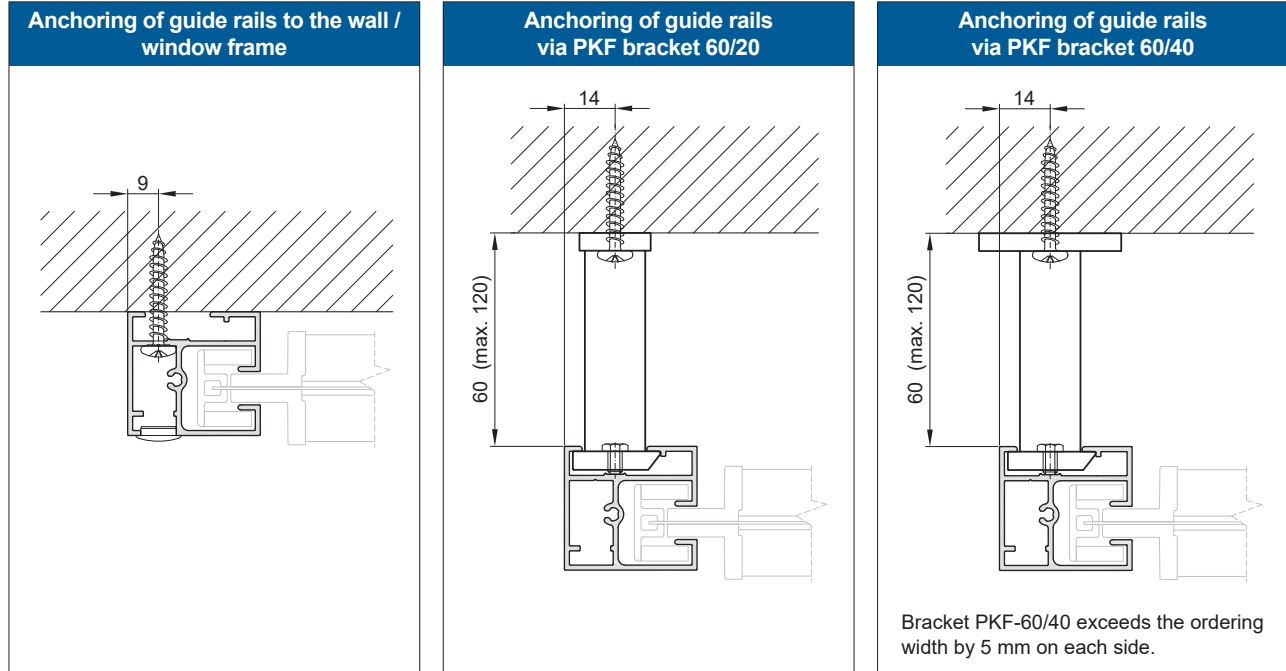
Recommended number of brackets PKF per 1 guide rail		
	Height [cm]	Number of brackets
80 Z	50 - 160	2 pcs
	160.1 - 200	3 pcs
100 Z	50 - 160	2 pcs
	160.1 - 300	3 pcs
130 Z	100 - 280	3 pcs
	280.1 - 450	4 pcs
150 Z	100 - 280	3 pcs
	280.1 - 500	4 pcs

Bracket PKF-60/40 exceeds the ordering width by 5 mm on each side.

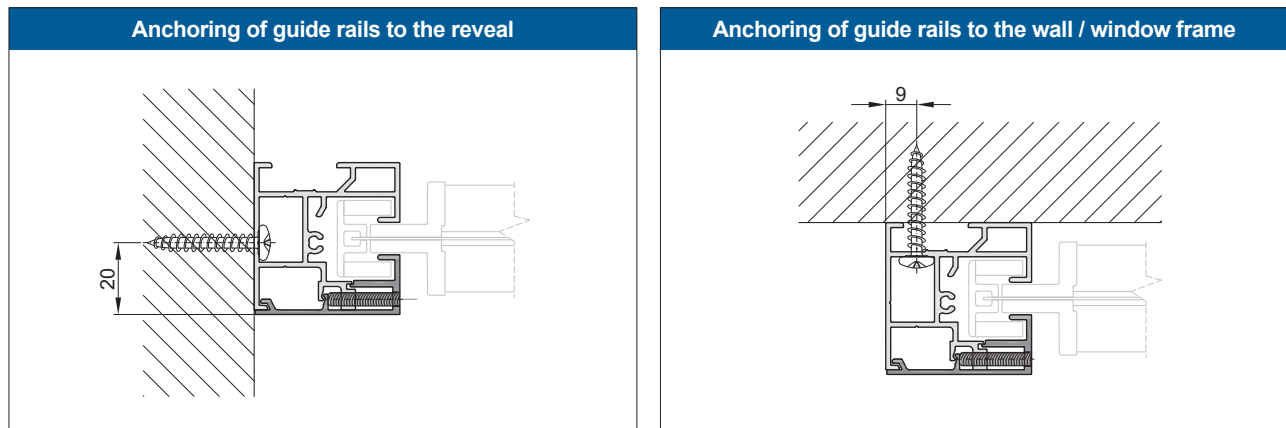
5.6.3 Anchoring

Guide rail S3

UNIROL Z

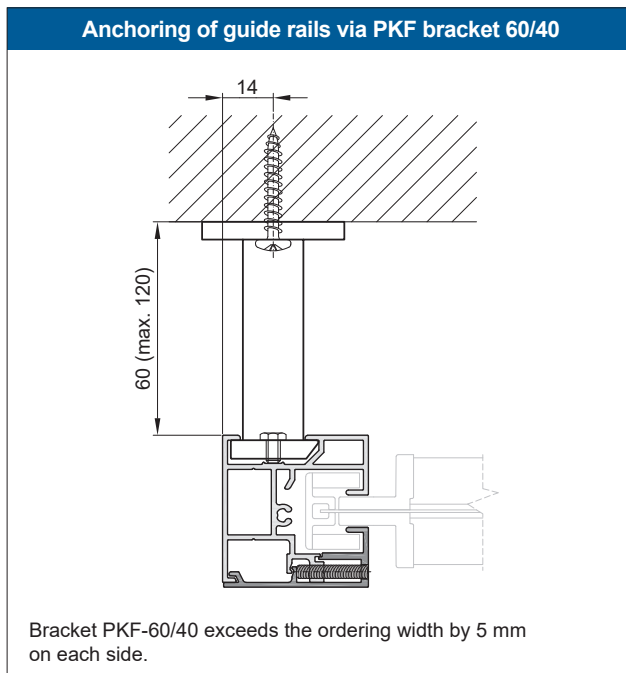
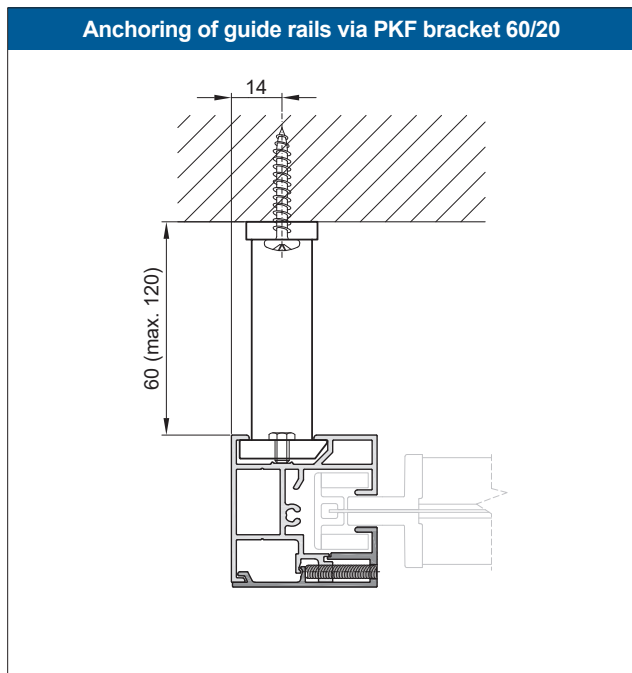


Guide rail S4



Note:

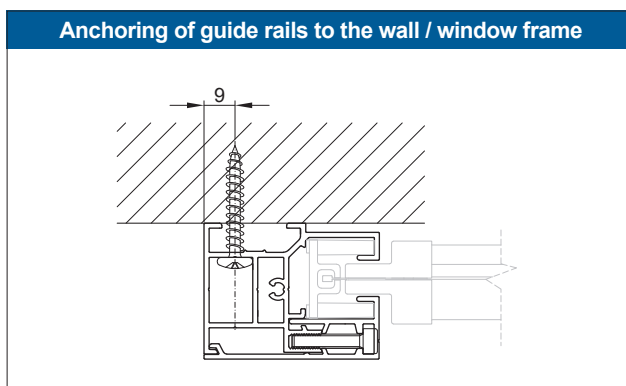
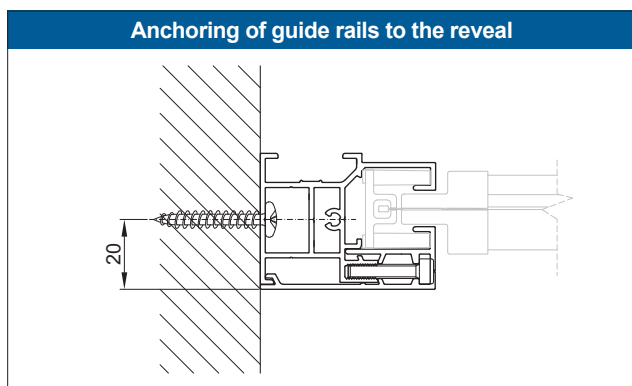
- rails S5 and S6 can be mounted in the same way as rail S4
- rail S5 cannot be mounted using PKF brackets



Note:

- rails S5 and S6 can be mounted in the same way as rail S4
- rail S5 cannot be mounted using PKF brackets

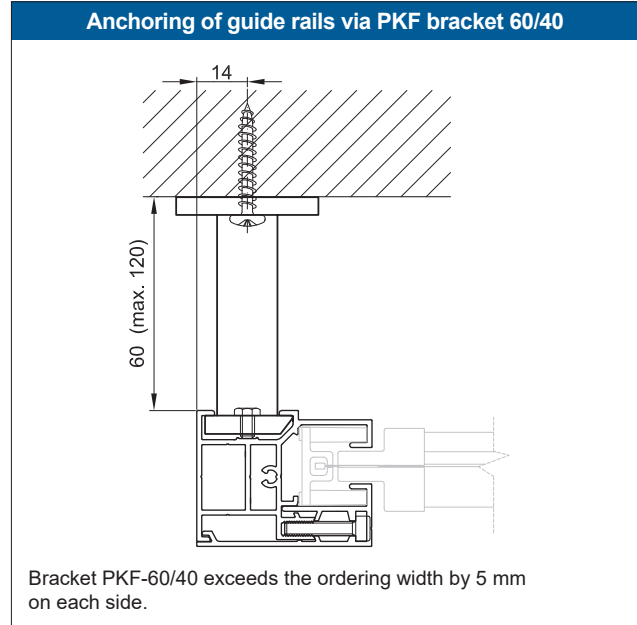
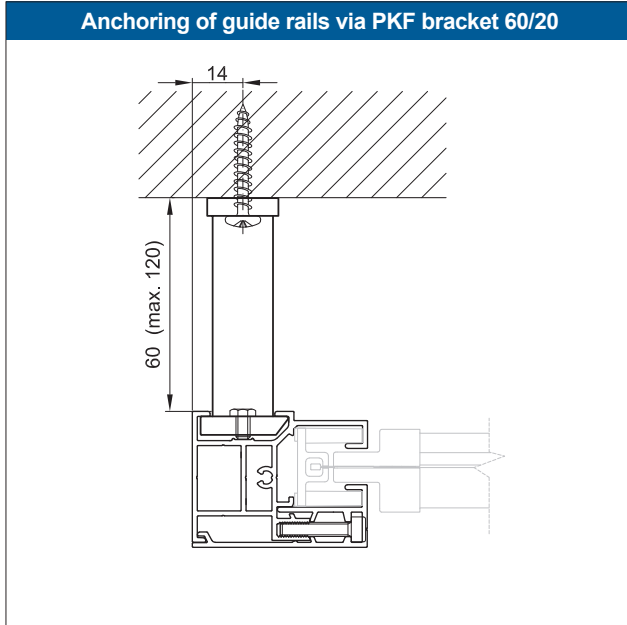
Guide rail Z



5.6.3 Anchoring

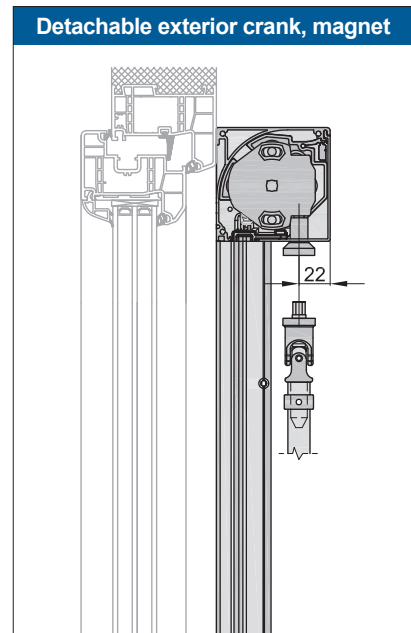
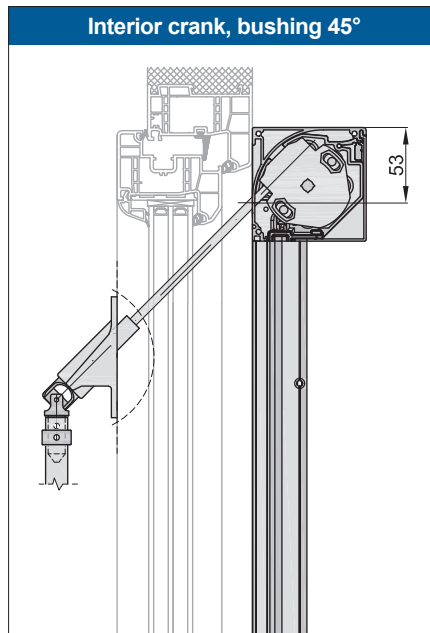
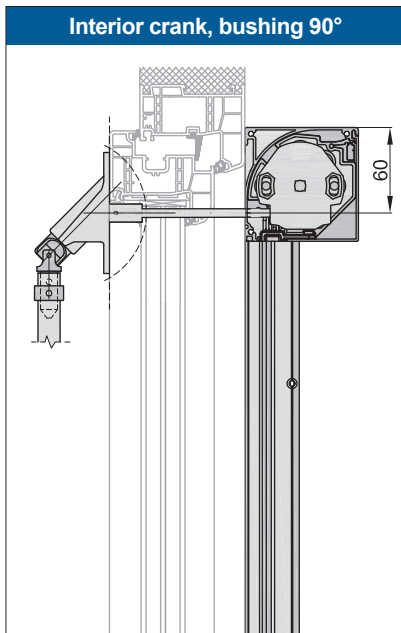
Guide rail Z

UNIROL Z



5.6.4 Manual control

UNIROL 80 Z



6. UNIROL 110 ZU

6.1 Product specification

Pricelist

Extra charges



Standard version

- ✓ Mechanical motor Kaiser Nienhaus
- ✓ Extruded box 110 x 150 mm
- ✓ Guide rails S8 40 x 63 mm
- ✓ Guide rails with holes for instalation wall / laterally into reveal
- ✓ Fabric Soltis 92, Soltis 7635 from the collection CLIMAX
- ✓ Steel shaft, zinc-coated - Ø 63 mm, Ø 78 mm
- ✓ Fabric guide profile

Construction colours

Colour version	Delivery time	Extra charge
white (RAL 9016)		
silver (RAL 9006)	3 weeks	no
anthracite (RAL 7016)		
other varnished	4 weeks	yes

Other varnished: RAL, DB703, VSR 780, Sablé 2900

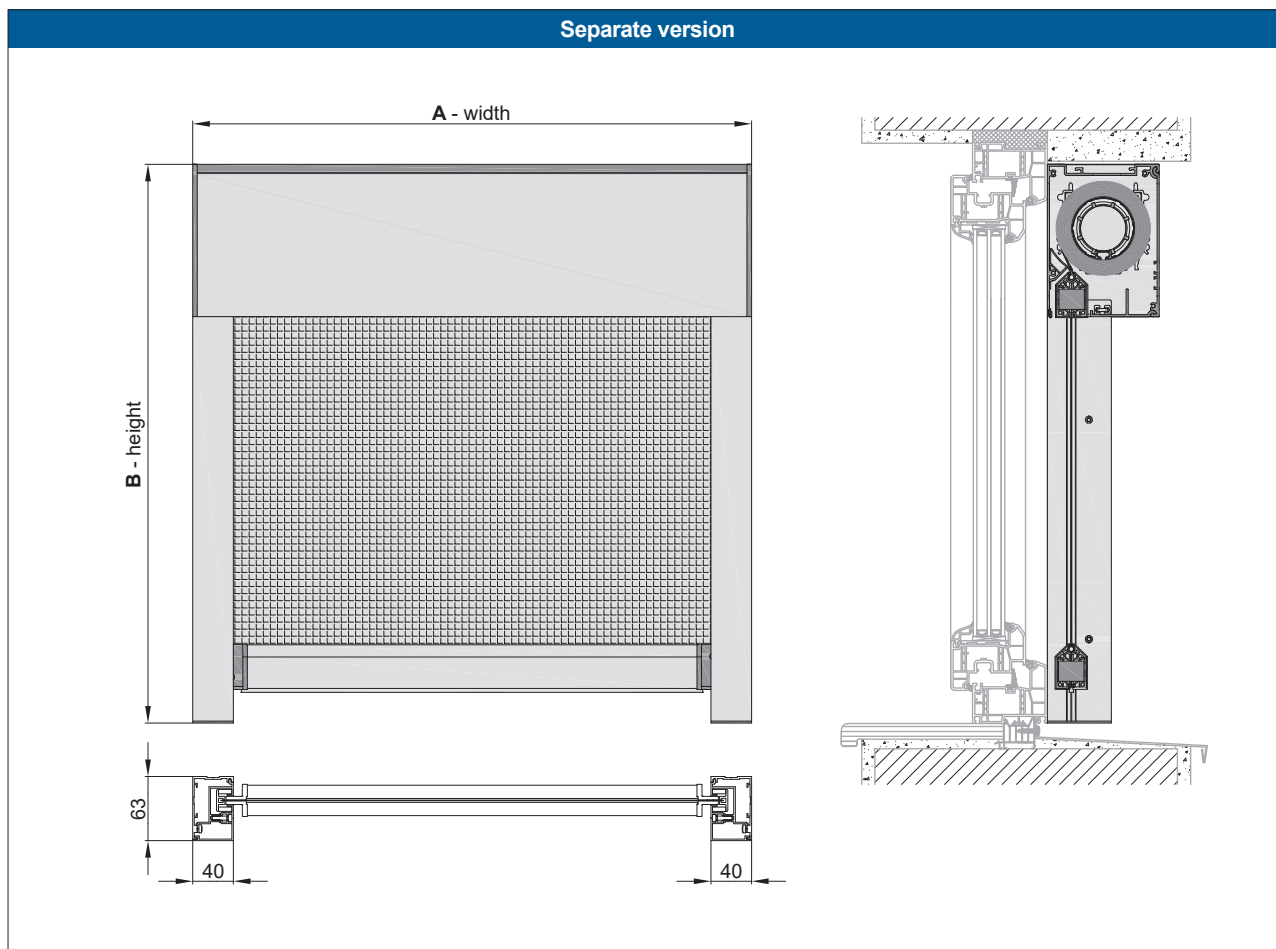
Limit dimensions

TYPE	OPERATION	Fabric	Width [cm]			Height [cm]		Area
			Min.	Max. with shaft Ø 63 mm	Max. with shaft Ø 78 mm	Max. with shaft Ø 63 mm	Max. with shaft Ø 78 mm	Max.
UNIROL 110 ZU	Motor	Soltis 86, 92, B92, 96	see table of motors	350	450	400	220	14 m ²
		Soltis 7635						
		Soltis Veozip						
		Mermet 5500, 21154 BO						
		Helioscreen						

Note:

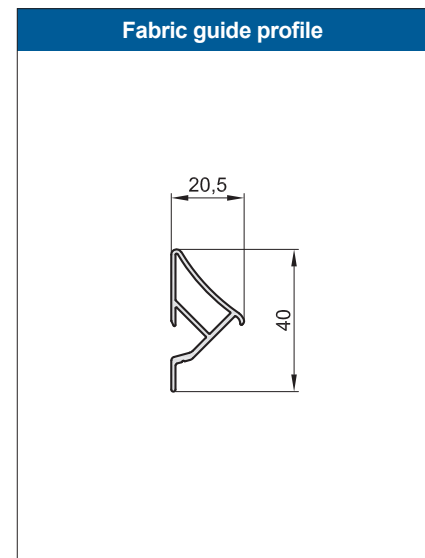
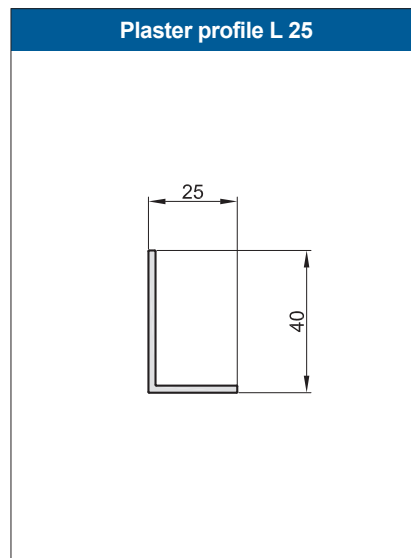
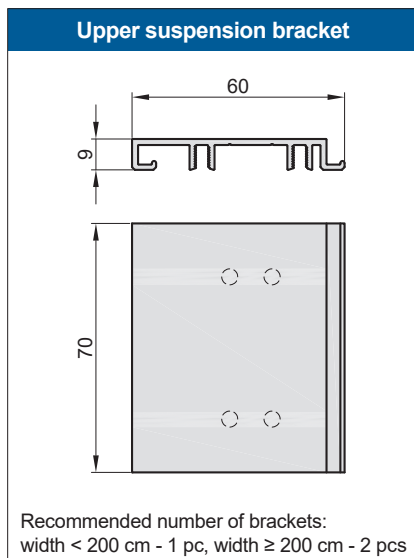
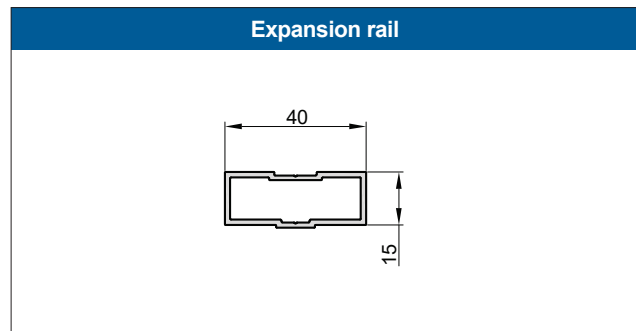
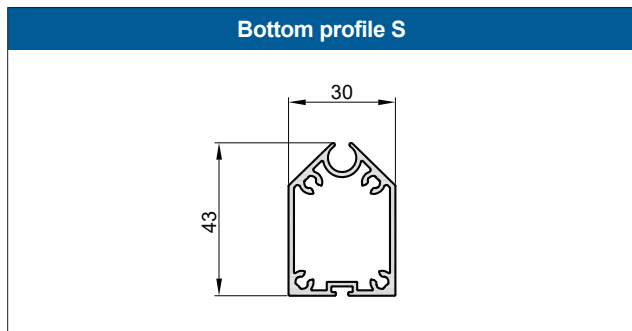
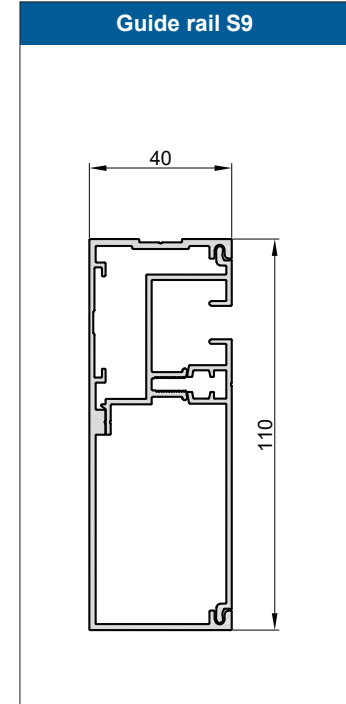
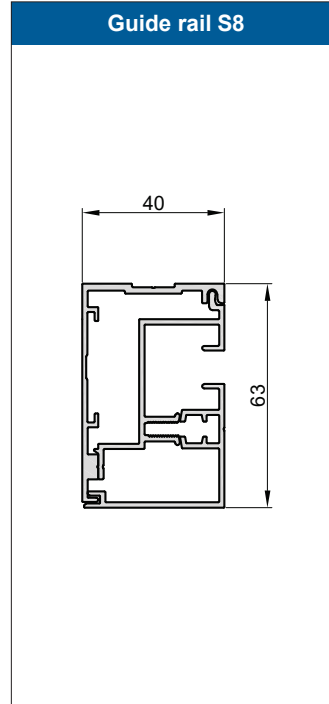
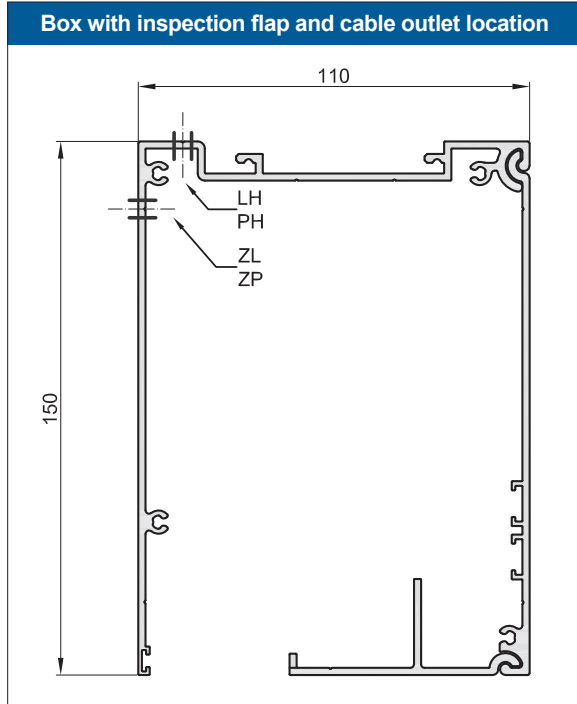
- for screens, the maximum width-to-height ration of 1:3 is guaranteed for widths ≤ 100 cm

6.2 Measuring



UNIROL 110 ZU

6.4 Cross-sections of profiles and components



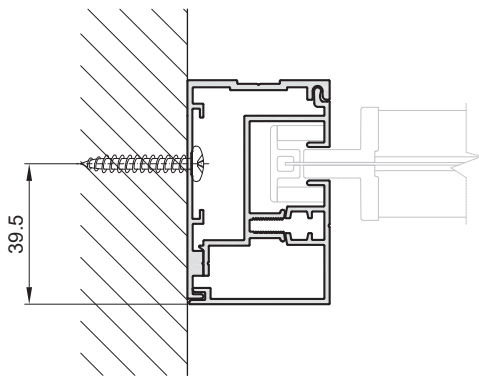
UNIROL 110 ZU

6.5 Anchoring

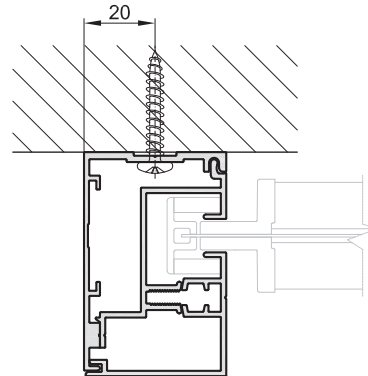
Guide rails

UNIROL 110 ZU

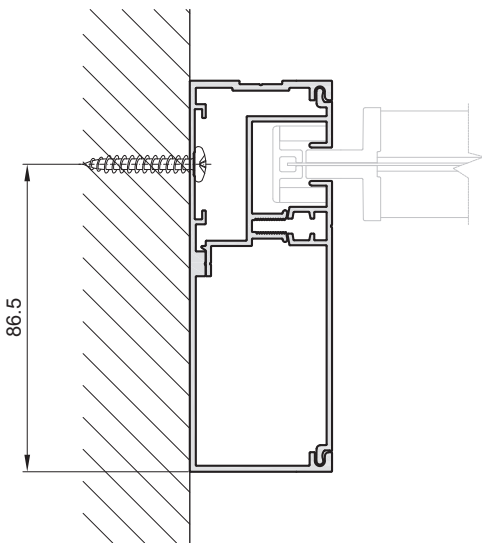
Anchoring of guide rails S8 into the reveal



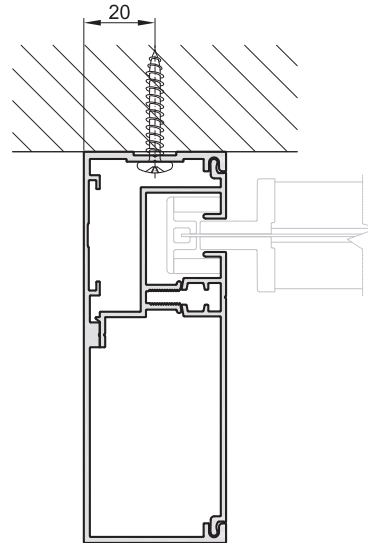
Anchoring of guide rails S8 to the wall / window frame



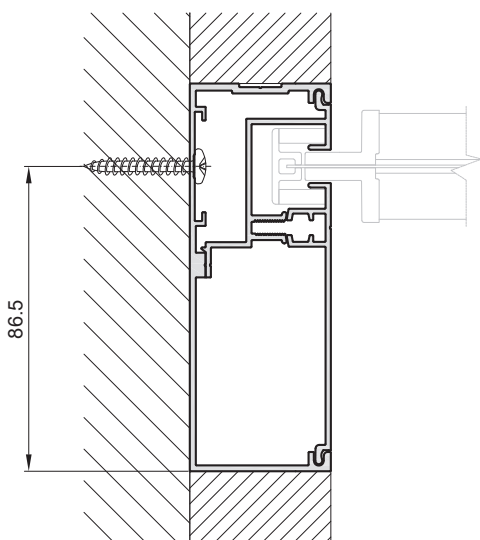
Anchoring of guide rails S9 into the reveal



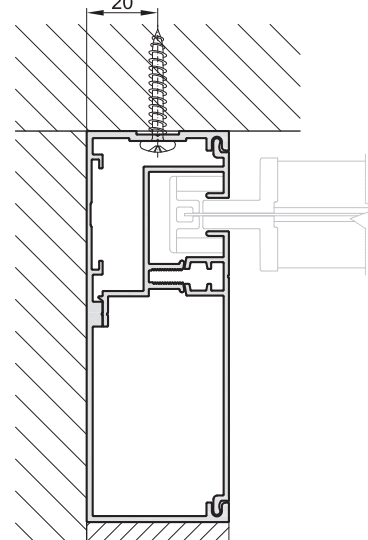
Anchoring of guide rails S9 to the wall / window frame



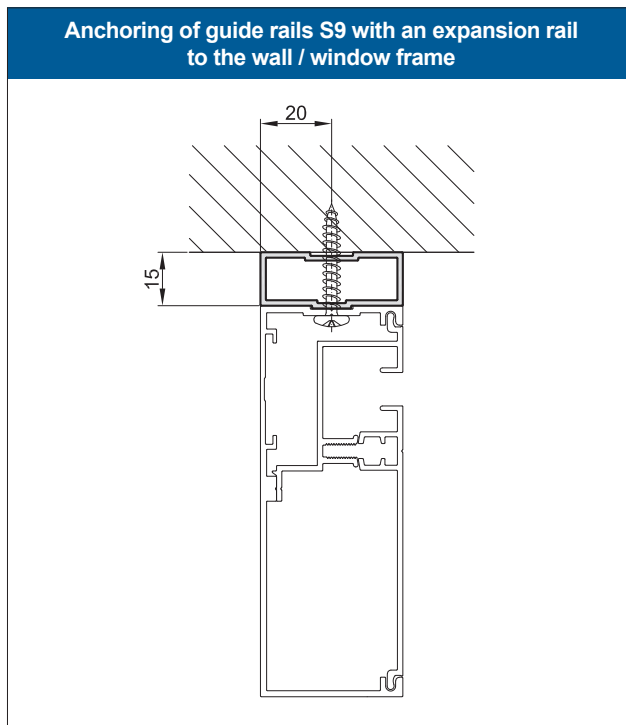
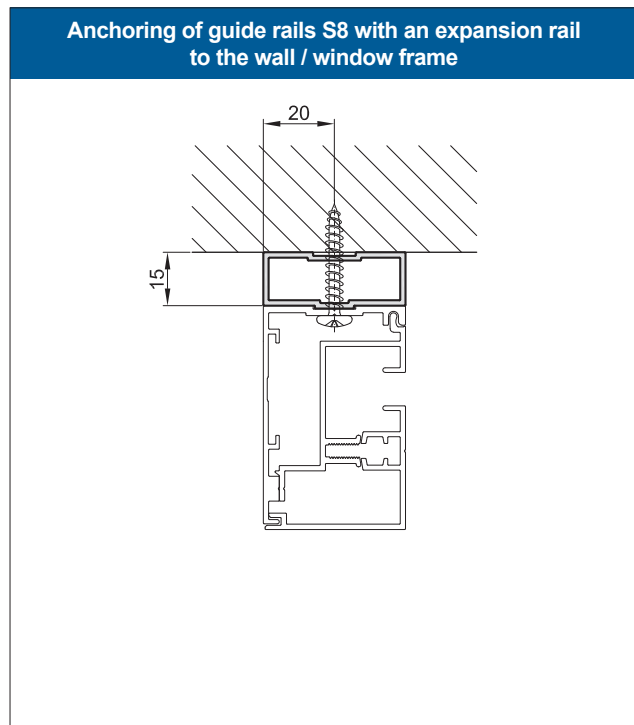
Anchoring of guide rails S9 into the reveal
- concealed version



Anchoring of guide rails S9 to the wall / window frame
- concealed version

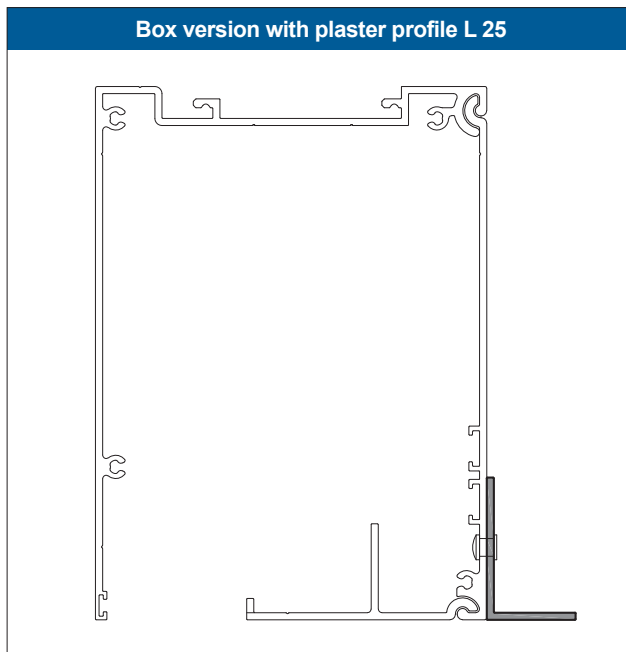
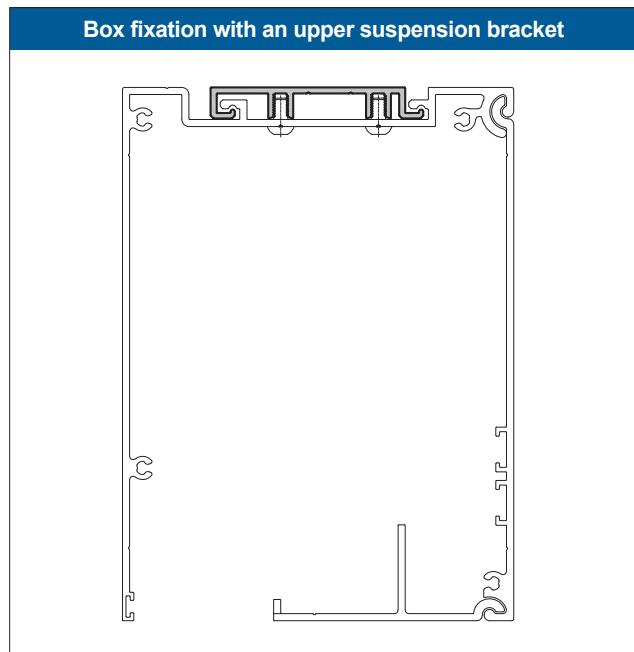


Guide rails



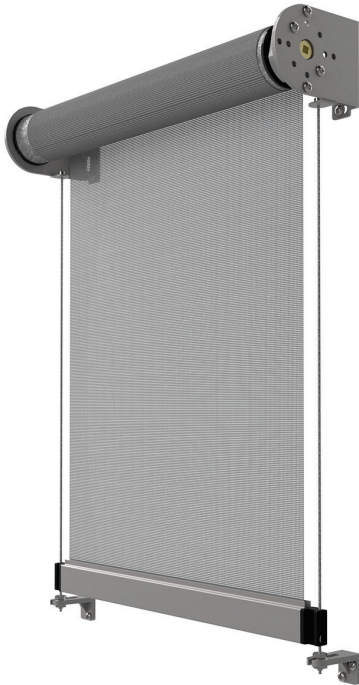
UNIROL 110 ZU

6.6 Attachment and L-profile for the box



7. V-ROL 63

7.1 Product specification

[Pricelist](#)
[Extra charges](#)


Standard version

- ✓ Mechanical motor Kaiser Nienhaus
- ✓ Wall / ceiling brackets – zinc-coated
- ✓ Plastic-coated stainless steel wire Ø 3 mm
- ✓ Wire holder type DL 0
- ✓ Fabric Soltis 92, Soltis 7635 from the collection CLIMAX
- ✓ Steel shaft, zinc-coated - Ø 63 mm

Construction colours - bottom profile, wire holder

Colour version	Delivery time	Extra charge
white (RAL 9016) *	1 week	no
silver (RAL 9006) *		
other varnished	2 weeks	yes

Other varnished: RAL, DB703, VSR 780, Sablé 2900

* wall / ceiling brackets - zinc-coated

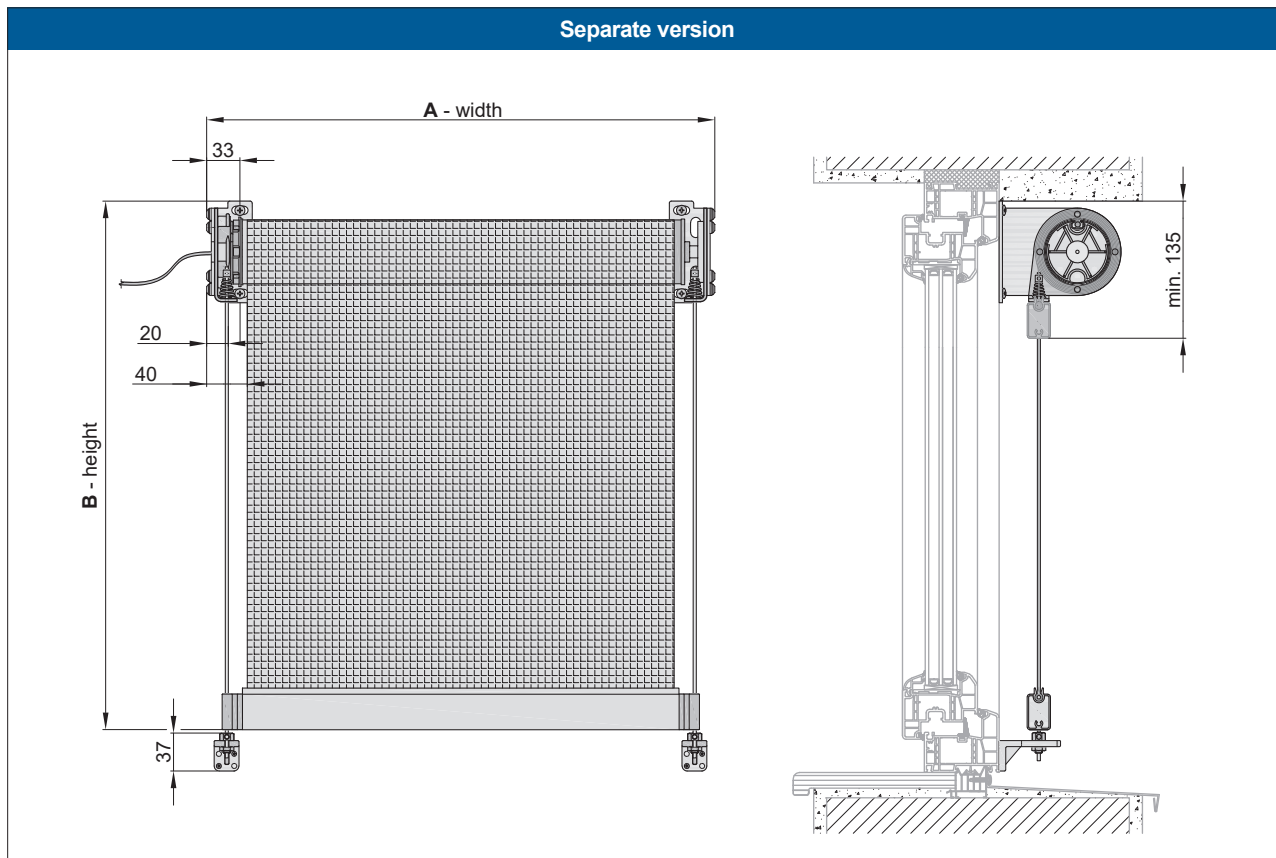
Limit dimensions

TYPE	OPERATION	Fabric	Width [cm]		Height [cm]	Area	
			Min.	Max.	Max.	Max.	
V-ROL 63	Motor	Soltis 86, 92, B92, 96	see table of motors	300	350	9 m ²	
		Soltis 7635					
		Soltis Veozip					
		Mermet 5500, 21154 BO		330			
		Helioscreen					
		Acryl					
	Crank	Soltis 86, 92, B92, 96	50	300	350	8 m ²	
		Soltis 7635					
		Soltis Veozip					
		Mermet 5500, 21154 BO		330			
		Helioscreen					
	Acryl						
	Connected roller screens	(max. connections: 1)					
	Motor	Soltis 86, 92, B92, 96	see table of motors	595	350	18 m ²	
Soltis 7635							
Soltis Veozip							
Mermet 5500, 21154 BO							
Helioscreen							
Acryl							

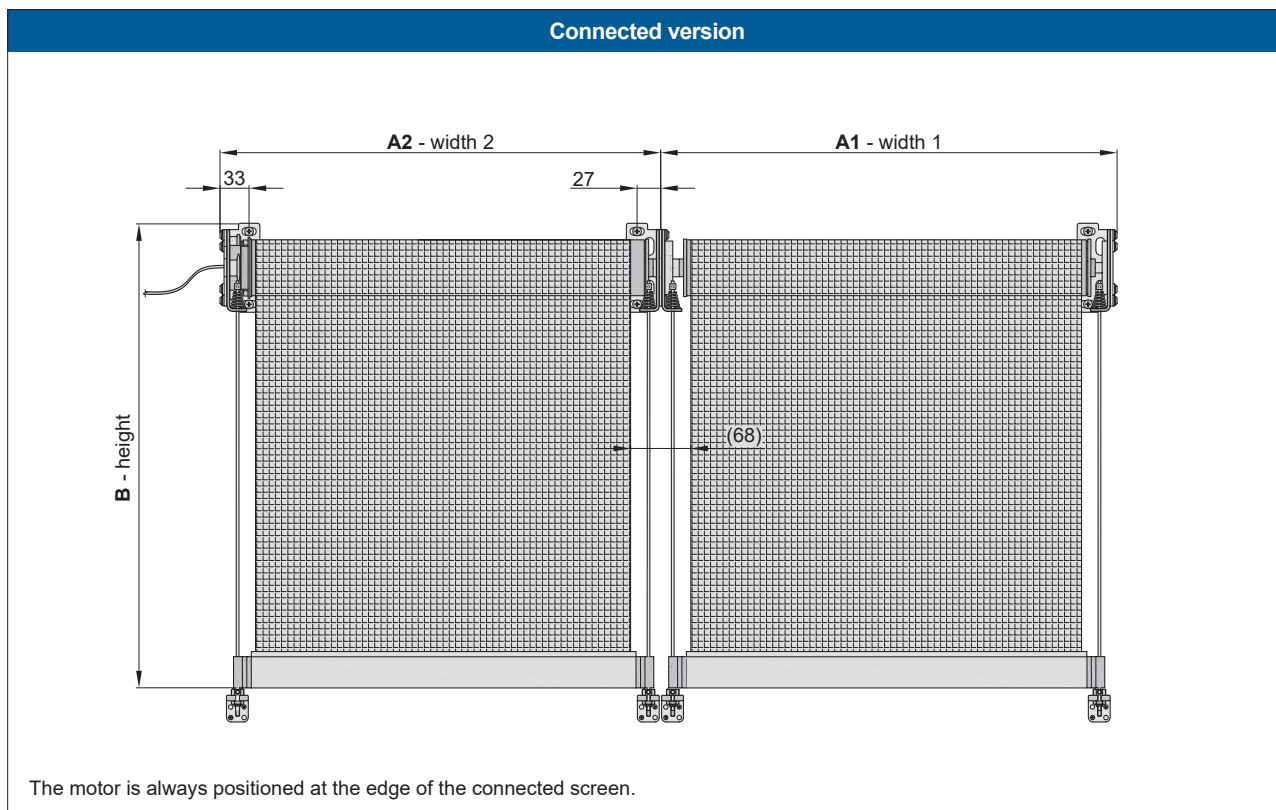
Note:

- for screens, the maximum width-to-height ration of 1:3 is guaranteed for widths ≤ 100 cm

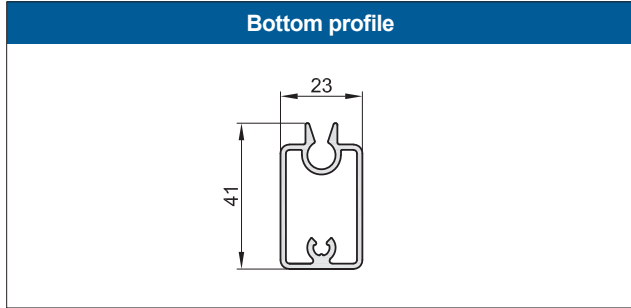
7.2 Measuring



V-ROL 63



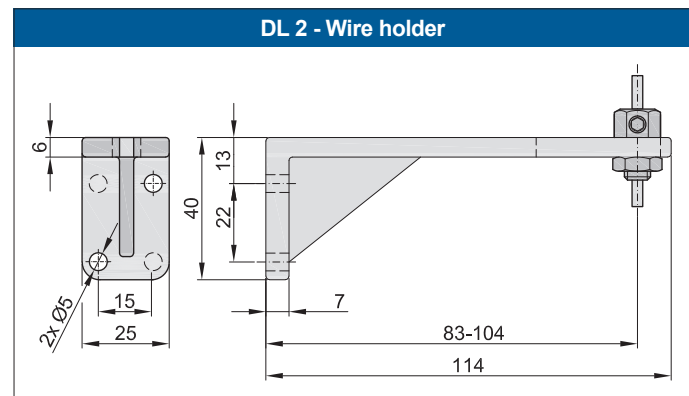
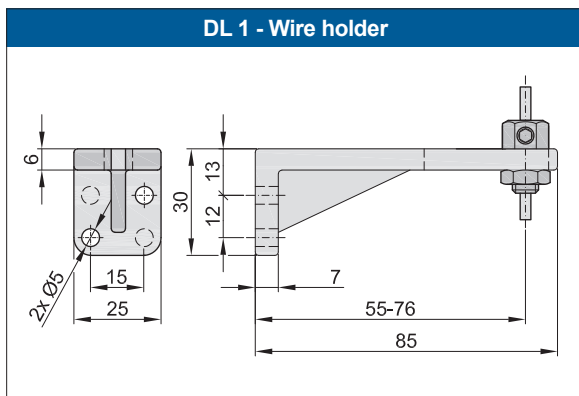
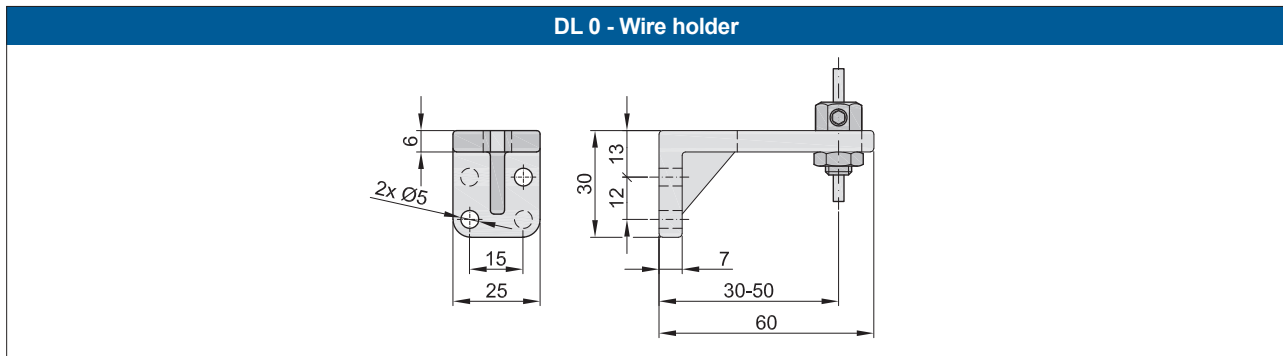
7.4 Cross-sections of profiles and components



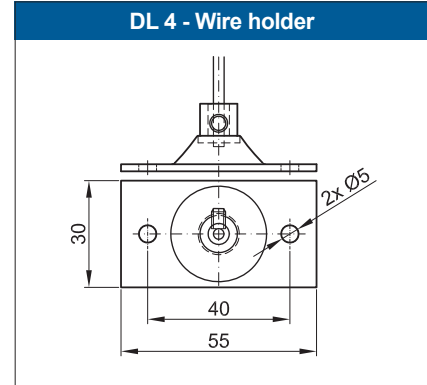
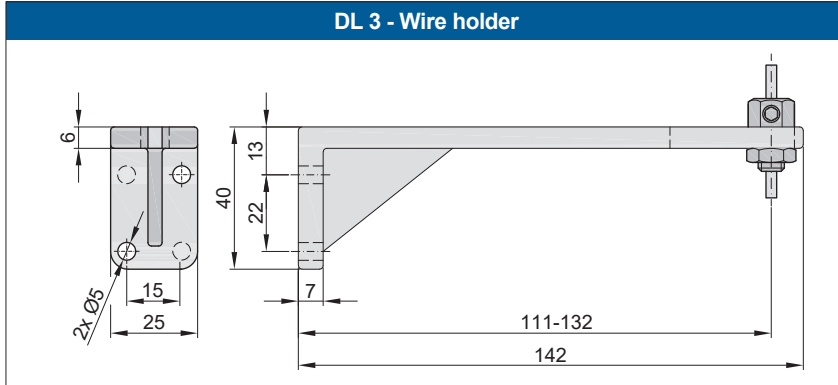
V-ROL 63

7.5 Holders and brackets

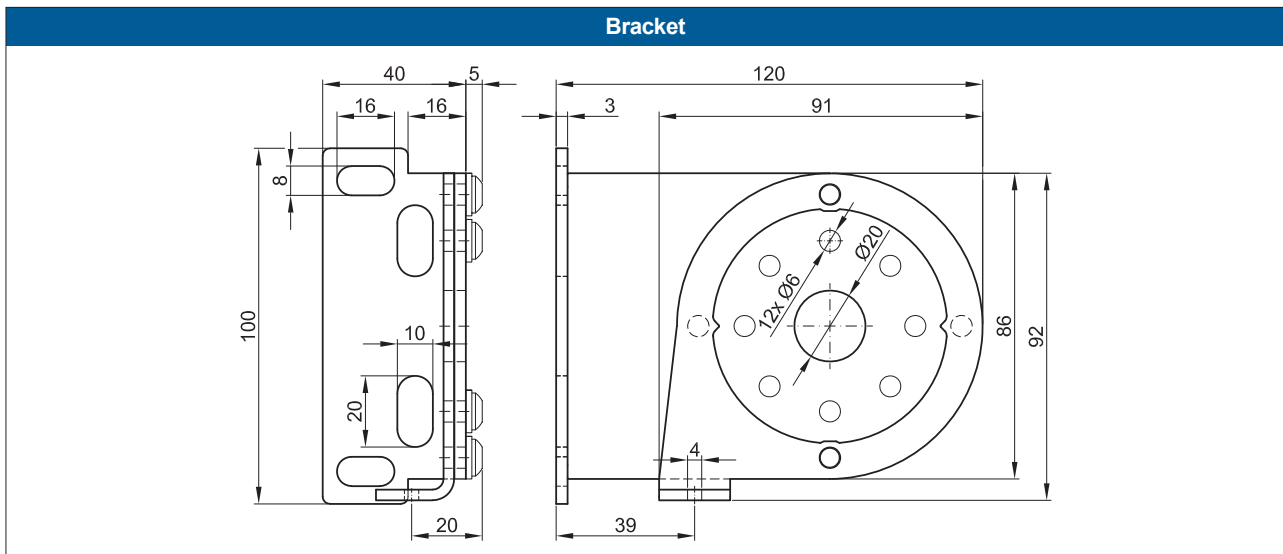
Wire holders



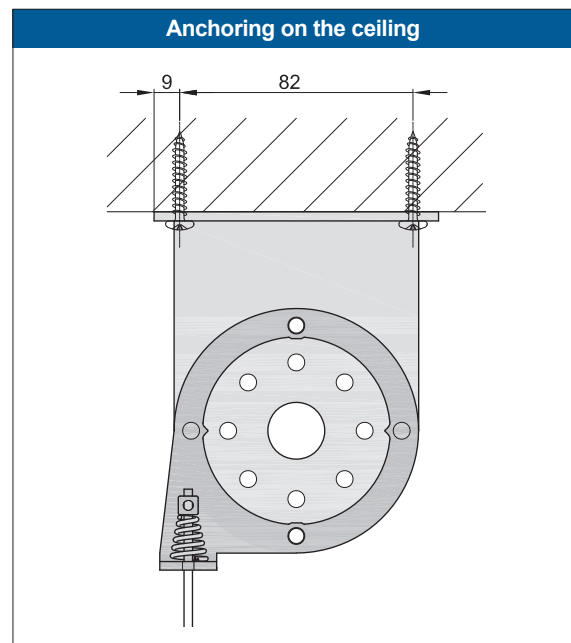
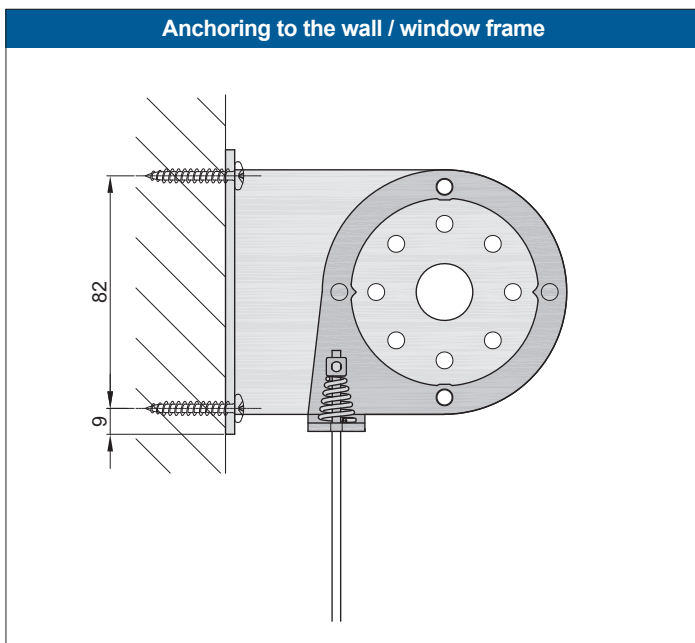
Wire holders



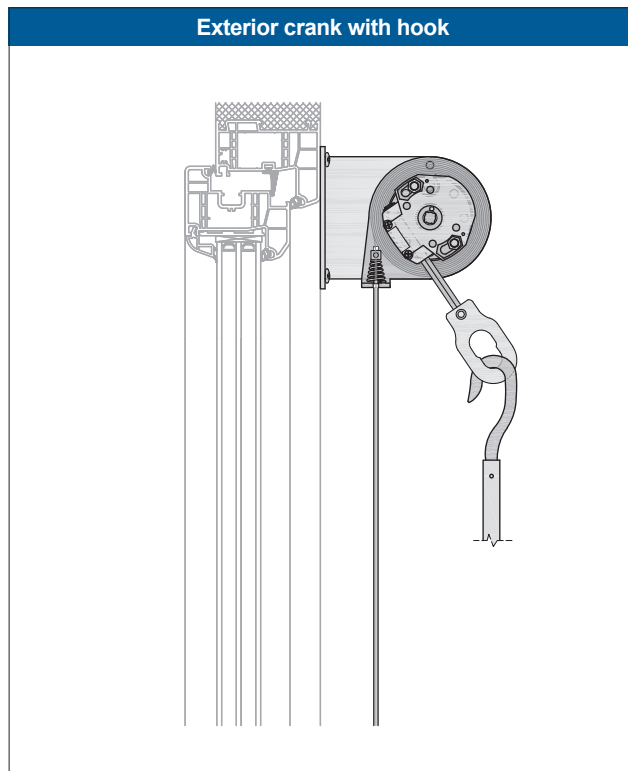
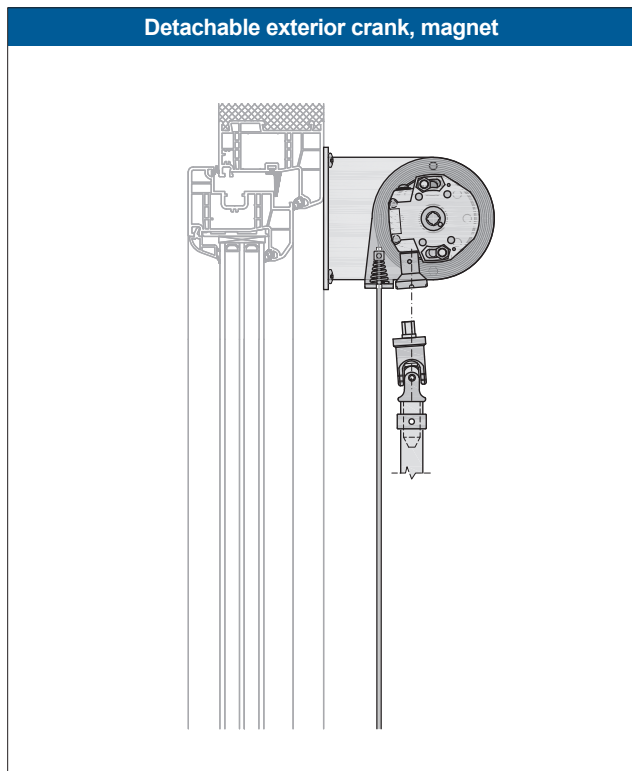
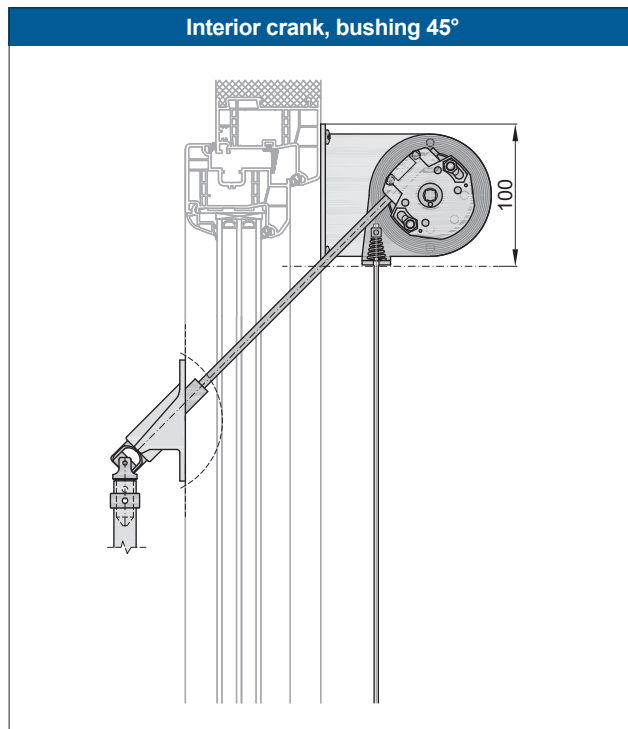
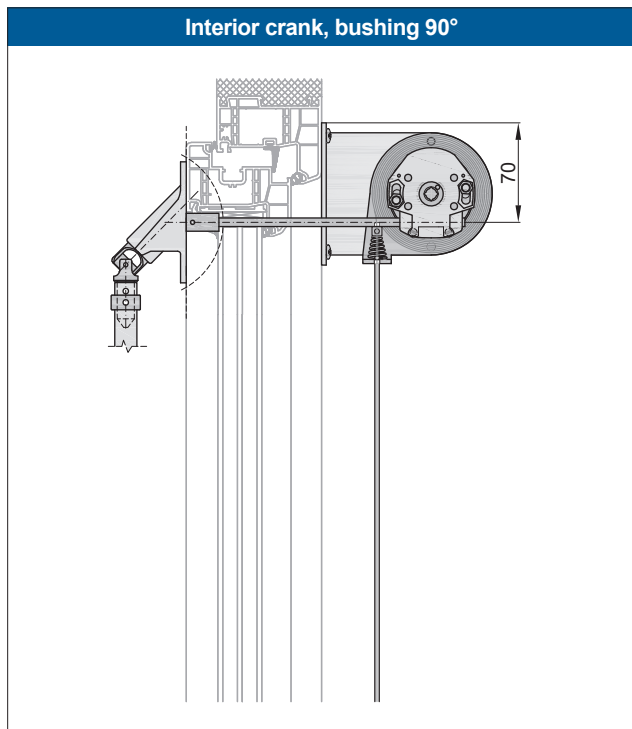
Bracket



7.6 Anchoring



7.7 Manual control



V-ROL 63

8.2 Wind resistance



Classes of wind resistance were assigned on the basis of tests carried out at Civil Engineering Centre in Zlín in accordance with the standard ČSN EN 13561.



All screens made by SERVIS CLIMAX a. s. are manufactured in accordance with ČSN EN 13561 and bear the CE mark. The wind resistance is determined by the standard ČSN EN 13561 External blinds and awnings - Performance requirements including safety.

Determination of the wind resistance class

Process:

1. Determine the Terrain category.
2. Based on the Wind zone map of the given country set the Wind class.
3. Select the installation height of the screen from the ground.
4. After determination of all the criteria you will get the recommended value of Wind resistance class.
5. On page 67 you will find Wind resistance classes to the standard ČSN EN 13561.

Terrain category	Description of category
Category I.	Stormy open sea; lakes up to 5 km against the wind direction; exposed flat terrain with no obstructions 
Category II.	Agricultural land with border hedges; random small farms, houses and trees 

Terrain category	Description of category
Category III.	Suburban or industrial areas and consistent forests 
Category IV.	Urban areas where at least 15% is covered with buildings the average height of which is more than 15 m 

Wind class	Wind speed
1	22.5 m/s
2	25.0 m/s
3	27.5 m/s
4	30.0 m/s

Criteria		Determination of wind resistance class based on mounting roller shutter height (recommended values)																			
		6 m				18 m				28 m				50 m				100 m			
Terrain category	Requirements	Wind class				Wind class				Wind class				Wind class				Wind class			
I.	Wind resistance class	1	2	3	4	1	2	3	4	1	2	3	4	1	2	3	4	1	2	3	4
II.		2	3	3	3	3	3	3	4	3	3	3	4	3	3	4	4	3	4	4	4
III.		1	2	2	3	2	3	3	3	2	3	3	4	3	3	4	4	4	3	3	4
IV.		0	1	1	2	1	1	2	2	1	2	2	3	2	2	3	3	2	3	3	4
		0	0	1	1	0	0	1	2	0	1	2	2	1	2	2	3	2	2	3	3

Wind resistance class	0	1	2	3	4	5	6
Nominal pressure p [N/m ²]	< 50	50	70	100	170	270	400
Testing pressure p = 1.5 [N/m ²]	< 75	75	100	150	250	400	600
Wind speed [km/h]	< 30	30	35	45	60	75	90

Notice:

- in case of wind exceeding the values in the tables, it is highly recommended to retract the product and not to manipulate with it anymore as it might result in damaging it

Beaufort scale				
Wind resistance class EN 13561	Beaufort class	Wind speed [km/h]	Wind type	Wind characteristics
0	0	0 up to 1	calm	Smoke rises vertically.
	1	2 up to 5	light air	Smoke drift indicates wind directions, vanes do not move.
	2	6 up to 11	light	Wind felt on face; leaves rustle; vanes begin to move.
	3	12 up to 19	gentle breeze	Leaves, small twigs in constant motion; light flags extended.
1	4	20 up to 28	moderate	Dust, leaves and loose paper raised up; small branches move.
2	5	29 up to 38	fresh breeze	Small trees begin to sway.
3	6	39 up to 49	strong breeze	Large branches on trees in motion; whistling heard in wires.
4	7	50 up to 61	moderate gale	Whole trees in motion; resistance felt in walking against the wind.
5	8	62 up to 74	fresh gale	Twigs and small branches broken off trees; walking in straight position against the wind is not possible.
6	9	75 up to 88	strong gale	Slight structural damage occurs; slate, chimneys blown from roofs.
-	10	89 up to 102	whole gale	Seldom experienced on land; trees broken, structural damage occurs.
	11	103 up to 117	storm	Widespread damage on land.
	12	over 118	hurricane	Severe widespread damage to vegetation and structures. Debris and unsecured objects are hurled about.

Declared values of wind resistance classes based on tests according to the standard ČSN EN 13561

Wind resistance class by product type					
Product type	Max. Width [cm]	Max. Height [cm]	Max. Area [m ²]	Wind resistance class according to ČSN EN 13561	Wind resistance class according to the Beaufort scale
SUNROL	240	250	3.000	2	5
UNIROL 80 C UNIROL 80 R	150	100	1.500	6	9
	250		2.500	5	8
	300		3.000	4	7
	100	150	1.500	6	9
	200		3.000	5	8
	300		4.500	4	7
	150	220	3.000	5	8
	250		5.000	4	7
	300		6.600	3	6
UNIROL 100 C UNIROL 100 R	150	100	1.500	6	9
	250		2.500	5	8
	400		4.000	4	7
	100	150	1.500	6	9
	200		3.000	5	8
	330		4.950	4	7
	400	200	6.000	3	6
	150		3.000	5	8
	250		5.000	4	7
	350	250	7.000	3	6
	400		8.000	2	5
	100		2.500	5	8
	200	300	5.000	4	7
	300		7.500	3	6
	350		8.750	2	5
	150	350	4.500	4	7
	250		7.500	3	6
	300		9.000	2	5
	100	350	3.500	4	7
	200		7.000	3	6
	250		8.750	2	5

Notice:

- the stated maximum dimensions of the product do not take into account the box size, the fabric type and the control

8.2 Wind resistance

Beaufort scale				
Wind resistance class EN 13561	Beaufort class	Wind speed [km/h]	Wind type	Wind characteristics
0	0	0 up to 1	calm	Smoke rises vertically.
	1	2 up to 5	light air	Smoke drift indicates wind directions, vanes do not move.
	2	6 up to 11	light	Wind felt on face; leaves rustle; vanes begin to move.
	3	12 up to 19	gentle breeze	Leaves, small twigs in constant motion; light flags extended.
1	4	20 up to 28	moderate	Dust, leaves and loose paper raised up; small branches move.
2	5	29 up to 38	fresh breeze	Small trees begin to sway.
3	6	39 up to 49	strong breeze	Large branches on trees in motion; whistling heard in wires.
4	7	50 up to 61	moderate gale	Whole trees in motion; resistance felt in walking against the wind.
5	8	62 up to 74	fresh gale	Twigs and small branches broken off trees; walking in straight position against the wind is not possible.
6	9	75 up to 88	strong gale	Slight structural damage occurs; slate, chimneys blown from roofs.
-	10	89 up to 102	whole gale	Seldom experienced on land; trees broken, structural damage occurs.
	11	103 up to 117	storm	Widespread damage on land.
	12	over 118	hurricane	Severe widespread damage to vegetation and structures. Debris and unsecured objects are hurled about.

Declared values of wind resistance classes based on tests according to the standard ČSN EN 13561

Wind resistance class by product type					
Product type	Max. Width [cm]	Max. Height [cm]	Max. Area [m ²]	Wind resistance class according to ČSN EN 13561	Wind resistance class according to the Beaufort scale
UNIROL 80 Z	300	200	5.618	6+	11
			6.000	6	9
UNIROL 100 Z	400	300	9.000	6+	11
UNIROL 130 Z	600	450	9.436	6+	11
			13.760	6	9
			18.000	5	8
UNIROL 150 Z	500	500	9.369	6+	11
			9.369	6	9
	600	500	13.663	6	9
			13.663	5	8
	500	500	20.000	5	8
			20.000	4	7
UNIROL 110 ZU	450	400	3.981	6	9
			3.982 - 5.898	5	8
			5.899 - 9.369	4	7
			9.370 - 14.000	3	6
V-ROL 63	330	350	7.000	3	6
			7.001 - 9.000	2	5

Notice:

- the stated maximum dimensions of the product do not take into account the box size, the fabric type and the control